

ISETTA



LX



ST











LX		ST	
4	RS TB TP	4	RS TB TP
6R	RS TB TP	6R	RS TB TP
7R	RS TB TP	7R	RS TB TP
9R	RS TB TP		
12R	RS TB TP		

ISA S.r.l.
Via del Lavoro, 5
 06083 Bastia Umbra - Perugia - Italy
 Tel. +39 075 80171 - Fax +39 075 8000900
www.isaitaly.com



1. NOTES / IMPORTANT NOTES	4
1.1 Introduction	5
1.2 Manufacturer's contact details.	5
2. SAFETY.	6
2.1 Staff training.	6
2.2 Safety devices applied	6
2.2.1 Safety devices included	6
2.2.2 Fixed protective devices	6
2.2.3 Disconnecting electrical power supply	7
2.3 Residual risks	7
2.3.1 Risk of contact with parts under stress	7
2.3.2 Fires	7
2.3.3 Explosions	8
2.3.4 Slipping	8
2.3.5 Tripping	8
2.3.6 Circuit faults	8
2.4 Warning signs (if any)	8
2.5 Refrigerant R290	9
3. DISPOSING OF EXHAUST MATERIALS	10
4. INSTALLATION.	11
4.1 Storage and unpacking	11
4.2 Installation, positioning and ambient conditions	11
4.3 Electrical connection	11
5. TECHNICAL SPECIFICATIONS	12
5.1 Installation	14
5.2 Positioning	14
5.3 Load limits	14
5.4 Optional features.	16
6. EQUIPMENT DESCRIPTION	15
6.1 Composition	15
6.2 Identification	15
7. CONTROL PANEL	16
7.1 Start-up.	16
7.2 User Interface ELIWELL EW974.	17
7.3 User Interface DIXELL XR44CX	18
8. ROUTINE MAINTENANCE and REGULAR CHECKS	20
8.1 Cleaning the inside the cabinet	20
8.2 Access condensing unit	21
8.3 Cleanings condensing unit	21
8.4 External cleaning operations	21
9. MAINTENANCE	22
10. TECHNICAL ASSISTANCE	23
10.1 Faults	23
10.2 List of alarms on the electronic controller	24
11. GENERAL WARRANTY TERMS AND CONDITIONS	24
12. ANNEXES	25

The manual contains symbols to attract the reader's attention and highlight particularly important aspects. The table below illustrates the meaning of the various symbols used.

	Read the instruction manual
	Wear protective clothing
	Danger: Electrical parts under voltage
	Required maintenance or operations that must be performed by qualified personnel or by a technical assistance center
	Caution / Danger
	Important information
	Information
	Tasks that must be carried out by two persons
	Visual check
	Notes / Important Notes

1. NOTES / IMPORTANT NOTES



The content of this manual is of technical nature and is owned by **ISA S.r.l.** It is forbidden to reproduce, circulate or modify all or part of its content without written consent. Any infringement will be legally pursued.

The manual and the conformity certificate are an integral part of the equipment and should always accompany the product in the event of a transfer to a new location or to a new owner. The user is responsible for the integrity of these documents, for their consultation and during the whole life cycle of the equipment itself. Keep this manual in a safe place. It should be made available near the equipment for consultation at any time. If lost or destroyed, you can request a copy of this manual from **ISA S.r.l.** by specifying the exact model, serial number and year of manufacture. The manual reflects the manufacturing technology at the time of supply. The manufacturer reserves the right to modify its products in any way it deems necessary, with no obligation to update manuals and machines relating to previous manufacturing batches.

This equipment is not intended for use by persons (including children) with reduced physical, sensory or mental capabilities or by persons lacking the necessary experience and knowledge, unless they are supervised by a person responsible for their safety who has instructed them on how to use the equipment. Children should be supervised to ensure that they do not play with the equipment. Always refer to this manual before going ahead with any operation. Before doing any type of work, disconnect the equipment from the power supply. Any work on electric and electronic parts or cooling system components should only be carried out by trained personnel in compliance with current laws.

The Manufacturer cannot be held liable for any injury to persons or animals, or damage to the product itself in the event of:

- improper use of the equipment or use of the appliance by unqualified or unauthorised personnel;
- failure to comply with current legislation;
- incorrect installation and/or power supply faults;
- failure to observe the instructions contained in this Manual;
- failure to follow the maintenance programme;
- unauthorised modifications;
- installation of non-original spare parts in the equipment;
- installation and use of the equipment for purposes other than those for which the appliance was designed and sold;
- tampering with or damage to the power supply cable.

Liability for applying the safety instructions contained in this manual is held by the technical personnel responsible for the intended use of the equipment, who should ensure that authorised personnel:

- are qualified to carry out the requested activity;
- are aware of, and carefully comply with, the instructions contained in this document;
- are aware of, and apply, the general safety standards applicable to the equipment.

Failure to comply with safety standards may result in injury to personnel and damage to the equipment components and control unit. The user can contact the dealer to request additional information not contained in this document, or suggest improvements, at any time.



Before the product is delivered to the customer, it is essential that a trained technical member of staff checks that the equipment is operating correctly in order to achieve maximum performance.

1.1 Introduction

ISA S.r.l. employs materials of the best quality and as they enter the company, we constantly monitor their storage and the use as part of the manufacturing process to prevent damage, deterioration and failure. All manufacturing elements are designed and manufactured in order to guarantee reliability and high safety standards. All the equipment items are subjected to a strict testing procedure before delivery. However, please bear in mind that product performance over time depends on correct use and adequate maintenance. This manual contains the necessary instructions to maintain the equipment's initial appearance and functions over time..



Note

In order not to compromise the functionality and safety of the equipment, installation and maintenance operations that are especially complex have not been documented in this manual and are carried out by specialised technicians of the manufacturer.

The Use and Maintenance Manual contains the necessary information for understanding how the equipment works and how to use it properly, namely: the technical description of the various operational units, equipment and safety systems, operations, how to use the instruments and the interpretation of any diagnostics reports, main procedures and information relating to routine maintenance. For correct use of the equipment, the working environment should comply with current health and safety standards.

The safety requirements, indications, standards and notes illustrated in the various chapters of this manual are aimed at establishing a code of conduct and a series of obligations to be observed when performing the various activities, in order to create safe conditions for personnel, the equipment and the surrounding environment. To ensure the operator's safety, the devices of the equipment should be kept in constant working order. This manual is intended to illustrate the use and maintenance of the equipment. The operator has a responsibility and duty to carefully observe the instructions contained within it. The safety standards reported in this document are intended for trained, authorised personnel responsible for:

- transport-
- installation
- operations
- management
- maintenance
- cleaning, decommissioning, and disposal which are the only authorised use of the equipment discussed in this manual



Attention

Reading this manual, albeit in full, is no substitute for adequate user experience. Therefore it should only be considered a useful reminder of technical features and the main operations to perform.



Warning

The installers and users are required to read and understand all the instructions contained herein before they carry out any operation on the equipment.

1.2 Manufacturer's contact details

ISA S.r.l.

Via del Lavoro, 5
06083 - Bastia Umbra - Perugia - Italy
Tel. +39 075 80171
Fax +39 075 8000900

www.isaitaly.com

2. SAFETY

The buyer is responsible for training personnel using the appliance on the risks, safety devices and general health and safety rules required by the laws of the country where the equipment is installed.

Users/operators should be aware of the position of all the controls and how they work, as well as of the features of the equipment.

They should also read this manual in its entirety.

Maintenance work should be conducted by qualified personnel after the equipment has been prepared adequately.



Danger

Unauthorised tampering with or replacement of one or more parts of the equipment, the use of accessories that change its performance, and the use of spare parts other than those recommended may cause the risk of injury.



Danger

Before doing any type of work, the equipment must always be disconnected from the power supply.

Any work on electric parts or cooling system components should only be carried out by trained personnel in compliance with current laws.

2.1 Staff training

The buyer is responsible for ensuring personnel who will use the equipment and the maintenance technical staff are instructed and trained adequately.

The manufacturer is available for advice, clarifications, etc. so that the operator and technical staff can use the equipment correctly.



Attention

The equipment is designed for industrial use.

2.2 Safety devices applied

The appliance is equipped with the following safety devices:

2.2.1 SAFETY DEVICES INCLUDED

2.2.2 FIXED PROTECTIVE DEVICES

2.2.3 DISCONNECTING ELECTRICAL POWER SUPPLY

2.2.1 Safety devices included

Devices whose operation prevents risks from occurring when using the equipment (e.g. fuses, pressure switches, protective devices, thermal switches, etc.).

2.2.2 Fixed protective devices

Fixed protective devices consist of fixed perimeter shields, which are used to prevent external parts from entering the equipment.



Danger

It is absolutely forbidden to restart the equipment after it has been serviced, without first properly restoring the panelling.



Attention

You should check the integrity of fixed panels and corresponding fixings to the frame, focusing in particular on the protective panels.

2.2.3 Disconnecting electrical power supply

Before conducting any maintenance works on the equipment or part of it, it is necessary to section the power supply that powers it.



Danger

We therefore remind you, if maintenance is carried out and the operator cannot prevent bystanders from accidentally closing the circuit, to fully disconnect the equipment from the electric network.

2.3 Residual risks

During design the manufacturer examined all the areas or parts at risk. Therefore, all necessary precautions have been taken to prevent risks to persons and damage to the equipment as mentioned in the previous paragraphs.



Attention

Periodically check that all the safety devices are operating correctly.
Do not disassemble the fixed protective devices.
Do not introduce foreign objects or tools in the area of work.

Although the equipment is fitted with the aforementioned safety devices, there are still some risks that cannot be eliminated, but reduced via corrective actions by the final integrator and correct operational procedures.

Below is a summary of the remaining risks associated with the equipment during:

- Normal operation
- Adjustments and tweaking
- Maintenance
- Cleaning

2.3.1 Risk of contact with live parts

Risk of breaking or damaging the electrical components of the equipment, with a possible reduction in safety levels, following a short circuit.
Before connecting the electricity supply, make sure there is no ongoing maintenance work.



Attention

Before hooking up the equipment to its power supply, check that the short-circuit voltage in the place of installation is not higher than the one indicated on the protective switches on the electrical panel. If it is, the user is required to have appropriate limiting devices installed.
It is strictly forbidden to conduct any electrical modification, in order to prevent additional unforeseen hazards and risks.

2.3.2 Fires



Danger

In the event of a fire, immediately disconnect the master switch from the main power supply line.

2.3.3 Explosions

The equipment must not be located in an area classified as an explosion risk according to 1999/92/EC, such as:

Zone 0

An area in which there is a permanent, long-lasting or frequently explosive atmosphere made up of a mixture of air and flammable substances in the form of gases, fumes or steam.

Zone 1

An area in which the formation of an explosive atmosphere, made up of a mixture of air and flammable substances in the form of gases, fumes or steam is occasionally probable during normal activities.

Zone 20

An area in which there is a permanent, long-lasting or frequently explosive atmosphere in the form of clouds of combustible dust in the air.

Zone 21

An area in which the formation of an explosive atmosphere in the form of clouds of combustible dust is occasionally probable during normal activities.

2.3.4 Slipping



Any leaks in the areas surrounding the equipment may cause personnel to slip. Check that there are no leaks and keep these areas clean at all times.

2.3.5 Tripping



Generally untidy deposits of material may constitute a tripping hazard and a total or partial obstruction of emergency exit routes. You should ensure that operating and transit areas and emergency exit routes are free from obstacles in compliance with current legislation.

2.3.6 Circuit faults

Owing to potential faults, safety circuits may become less effective, which results in lower safety levels. You should check the operational condition of the equipment's safety devices installed regularly.

2.4 Warning signs (if any)

Depending on the various types of risks identified, warning labels signalling a danger, inviting to caution, or pointing to a mandatory requirement are fitted on the equipment, in accordance with the applicable legislation which establishes the graphic symbols that are to be used on plants.

The signs are located in clearly visible positions.



Attention

It is absolutely forbidden to remove the warning signs fitted on the equipment. The user is responsible for replacing warning signs that, owing to wear, become unreadable.

2.5 Refrigerant R290



This equipment contains a small amount of **R290** refrigerant, an environmentally compatible gas, but **one that is highly flammable**. Be very carefully during transport, installation of the equipment and disposal to not damage the refrigerant circuit pipes. **Maintenance must be performed by qualified personnel that has been to work with flammable refrigerants.**

IN THE EVENT OF DAMAGE:

Keep the equipment far from flames or sources of ignition. Ventilate the room for several minutes. Turn the unit off, pull the plug. Inform the customer service department. The more refrigerant containing an appliance, the greater must be the environment in which there is the unit. In areas too small, in the event of leakage can form a flammable mixture of air and gas. **The volume of the room where the equipment is located must be at least 19 m³ for each chiller system present.**

USE:

Never use electrical appliances inside the appliance. Do not damage the refrigerant circuit. Do not use mechanical devices or other means to accelerate the defrosting process other than those recommended by the manufacturer. Keep the ventilation openings in the equipment housing or structure free of obstructions.

DANGER OF EXPLOSION:

Do not store products containing combustible gas propellants and explosive substances inside the equipment.

INSTALLATION OF THE APPLIANCE:

Is suitable for installation in a dry, well ventilated room. The installation area must not be exposed to direct sunlight and must not be near heat sources such as stoves, heaters, etc. If installation next to a heat source is unavoidable, use a suitable insulating panel.

3. DISPOSING OF EXHAUST MATERIALS

During normal operation, the equipment does not generate any environmental contamination. At the end of its life cycle, or if it is necessary to proceed to permanent decommissioning, we recommend following the procedures below:

DISPOSAL (User)



The symbol, applied to either the product or its packaging, indicates that the product should not be considered as normal domestic waste, but should be taken to a waste collection point for the recycling of electrical and electronic appliances. The correct disposal of this product helps to prevent potential negative consequences that might derive from inadequate product disposal. For detailed information about recycling this product, contact your council, your local waste collection service or the store where you purchased the product.

PROCEDURES FOR THE DISPOSAL and RECYCLING OF THE EQUIPMENT AT THE END OF ITS LIFETIME (Authorised Institutions)

1. Turn off the equipment and unplug it.
2. Remove the lamps (if installed). These should be disposed of separately.
3. Remove the power units and the electronic cards. These should be disposed of separately.
4. Remove all the independent parts (grids, casings, profiles, etc.) and group them according to shared features in order to access the heat exchangers, pipes, cables, etc. and be careful not to damage the cooling circuit.
5. Remove all mobile parts (doors, sliding doors, glass parts, etc.) and group the various materials according to their features.
6. Check the type of coolant on the label located inside the counter. Extract the refrigerant and have it disposed of by authorised centres.
7. Disconnect the evaporator, condenser, compressor, pipes and fans. These are made of copper, aluminium, steel and plastic and should therefore be disposed of separately.
8. When you have removed all the housings and the various components of the shell, proceed to separate the elements based on their type of material (plastic, sheets, polyurethane, copper, etc.) and group them according to similarity.



All recyclable materials and waste should be processed and recycled by professionals, in compliance with the laws in force in the country where the equipment is installed. The company responsible for recycling the materials should be registered and certified as a waste disposal service in accordance with the laws in force in the country where the equipment is installed.



Attention

Illegal disposal of the product by the owner will result in administrative sanctions as required by current laws.
Disposal of the product should comply with current laws on the disposal of coolant liquids and mineral oils.



Important

If the equipment does not bear the barred trash-bin symbol, this means disposal of the product is not responsibility of the manufacturer. If so, the current laws on waste disposal always apply.



Additional information

Further information on the disposal of liquid coolant, oils and other substances is available on the safety data sheet corresponding to the substance itself.

4. INSTALLATION

This manual provides information on how to correctly unpack the equipment, the procedures to position it and describes how to connect the equipment to the electric network.

4.1 Storage and unpacking

The equipment, with or without the packaging, should be carefully stored inside warehouses or in areas away from the elements and direct sunlight, at a temperature between **0** and **+40** °C.



The equipment should only be moved by qualified personnel operating forklift trucks, the power of which should be suited to handling the weight of the product: during this operation the equipment **MUST** be placed on the special pallet supplied.

Unpack the equipment by removing the screws fixing it to the pallet.
All packaging materials are recyclable and should be disposed of in accordance with local regulations. Please destroy "plastic" bags to prevent them from becoming hazardous to children (suffocation).

4.2 Installation, positioning and ambient conditions



Attention

There should be a good air flow around the compressor and condensing unit. Therefore the area around the unit should not be obstructed by boxes or other objects.

Position the equipment far from sources of heat (radiators, stoves of any kind, etc.) and far from the in-flux of continuous air (caused for instance by fans, air-conditioned inlets, etc.).

Avoid also exposing the equipment to direct sun rays. All of these factors cause the temperature inside the refrigerated compartment to rise with harmful consequences for the equipment's functionality and costly consumption of energy. Do not use the equipment outdoors and do not leave it exposed to rain.

4.3 Electrical connection



Attention

Check that the voltage indicated on the appliance is the same as the value on the appliance identification label and in the table provided in paragraph 2 of this manual, and check that the required voltage is suitable.

Check on the socket that the power supply voltage provides rated voltage ($\pm 10\%$) when you start up the compressor.

The plug should be directly connected to the electrical socket. It is forbidden to connect the plug to the socket by means of multiple socket extensions or adaptors.

The socket of the plant must have a device to disconnect it from the power network (sized to fit the load and compliant with the current legislation) which guarantees complete power cut-off in conditions of overvoltage III (3) and which must therefore protect the circuits against grounding failures, overloads, and short-circuits.

Do not route the electricity cable in passageways.



Attention

Earthing is necessary and mandatory by law.

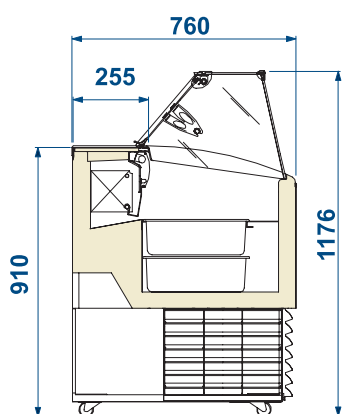
5. TECHNICAL SPECIFICATIONS

This refrigerated cabinet is exclusively intended to display and sell of gelato.
The manufacturer is not liable for injury to persons or damage to property or the equipment itself caused by the displaying of products other than those described above.

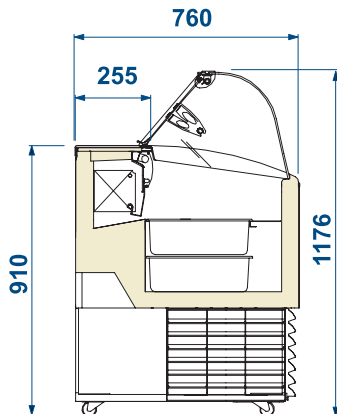


Improper use:

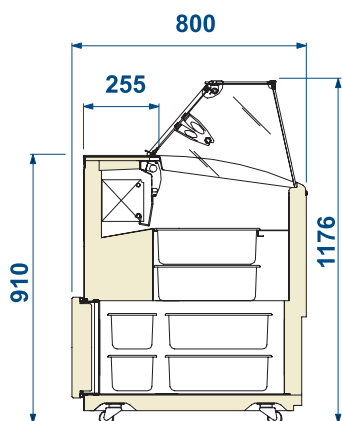
- Food preservation.
- Displaying and/or preserving non-food products (chemicals, pharmaceuticals, etc.).



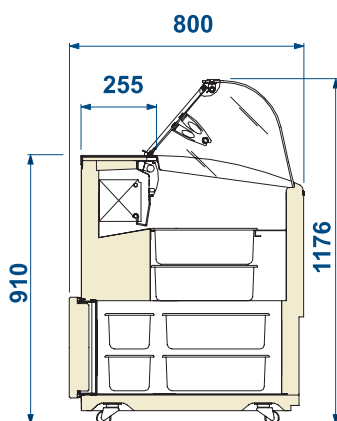
4 ST



4 LX



6R, 7R ST



6R, 7R, 9R, 12R LX

DISPLAY CONTAINERS ARRANGEMENT

	4	6R	7R	9R	12R
It 5 (360x165x120H)	4 (+4)	6 (+6)	7 (+7)	9 (+9)	12 (+12)
It 4.75 (260x157x170H)	6	10	11	14	19

ISETTA

USE AND MAINTENANCE MANUAL

428000372237

EN

5. TECHNICAL SPECIFICATIONS

TECHNICAL FEATURES R404A		4	6R	7R	9R	12R
		RS TB TP	RS TB TP	RS TB TP	RS TB TP	RS TB TP
External dimensions (lpxh)	mm	824 x 760 x 1176	1184 x 800 x 1176	1354 x 800 x 1176	1659 x 800 x 1176	2119 x 800 x 1176
Refrigeration		Static	Static	Static	Static	Static
Defrosting		Electrical	Electrical	Electrical	Electrical	Electrical
Climate class	N°	7	7	7	7	7
Environmental conditions	°C / % RH	35 / 75	35 / 75	35 / 75	35 / 75	35 / 75
Product class		S	S	S	S	S
Safety class (CEI EN 60335-2-89)	N° / °C (ambient)	5 / 43 ± 2°C	5 / 43 ± 2°C	5 / 43 ± 2°C	5 / 43 ± 2°C	5 / 43 ± 2°C
Refrigerant		R404A	R404A	R404A	R404A	R404A
Power supply	V / ph / Hz	230 / 1 / 50	230 / 1 / 50	230 / 1 / 50	230 / 1 / 50	230 / 1 / 50
Electrical absorption (standard)	W / A	450 / 3.3	590 / 4.1	870 / 5.3	730 / 3.2	1060 / 5.6
Electrical absorption (defrost)	W / A	810 / 3.8	810 / 3.7	915 / 4	1330 / 5.8	1770 / 8.2
Weight (net)	Kg	69	97	102	160	217

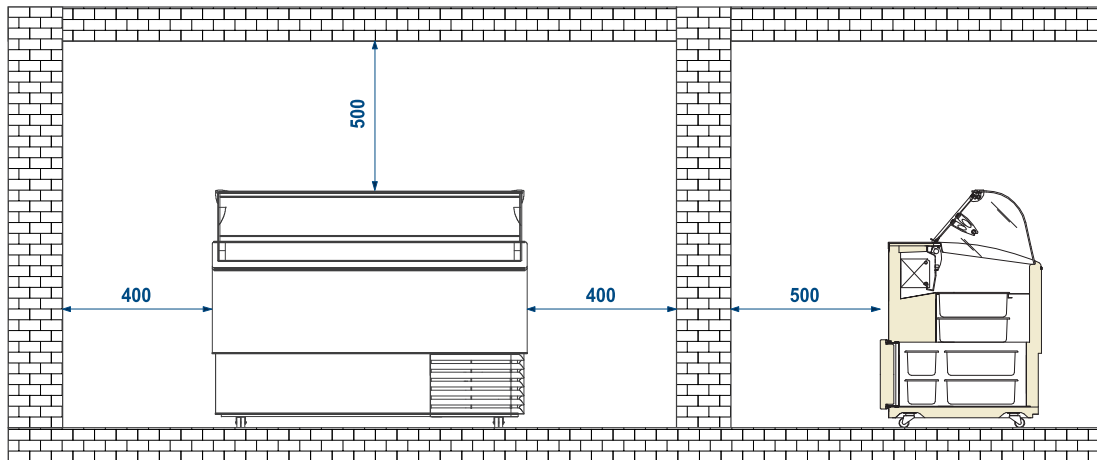
TECHNICAL FEATURES R290		4		7R		
		RS TB TP		RS TB TP		
External dimensions (lpxh)	mm	824 x 760 x 1176		1354 x 800 x 1176		
Refrigeration		Static		Static		
Defrosting		Electrical		Electrical		
Climate class	N°	7		7		
Environmental conditions	°C / % RH	35 / 75		35 / 75		
Product class		S		S		
Safety class (CEI EN 60335-2-89)	N° / °C (ambient)	5 / 43 ± 2°C		5 / 43 ± 2°C		
Refrigerant		R290		R290		
Power supply	V / ph / Hz	230 / 1 / 50		230 / 1 / 50		
Electrical absorption (standard)	W / A	300 / 2.4		500 / 2.6		
Electrical absorption (defrost)	W / A	810 / 3.8		915 / 4		
Weight (net)	Kg	69		102		

5.1 Installation



Attention

It is essential that you follow the distances indicated (mm) in order to correctly install the equipment.

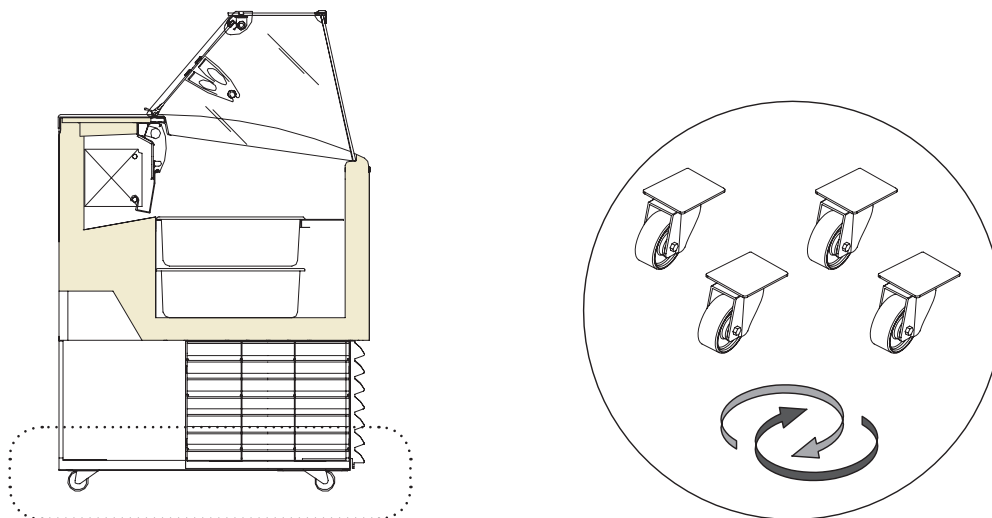


5.2 Positioning



Warning

The cabinet is equipped with pivoting wheels for an easier handling. It's absolutely necessary to stabilize after placement the equipment to the floor.



5.3 Load limits



Attention

It is essential **not to exceed** the load limits indicated in order not to alter proper air circulation and to thereby avoid the product from overheating.



6. EQUIPMENT DESCRIPTION

6.1 Assembled structure

The equipment comprises a single furniture on which all the functional devices needed to make it a professional product efficient for its intended use are assembled.

The equipment comprises:

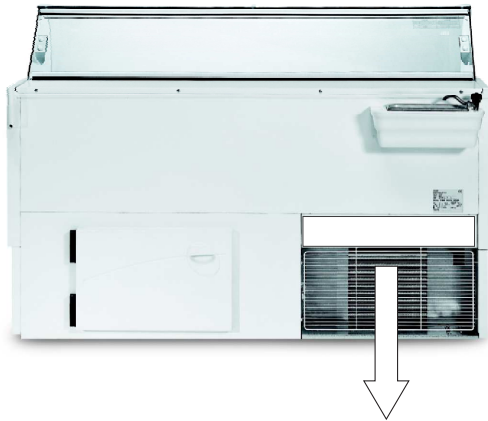
- Insulated structure in ecological polyurethane
- Cooling system
- Electronic control panel
- Electrical system
- Built-in hermetic condensing unit
- Lighting
- Rear pivoting methacrilate panel system on operator side
- 4 pivoting whells

6.2 Identification

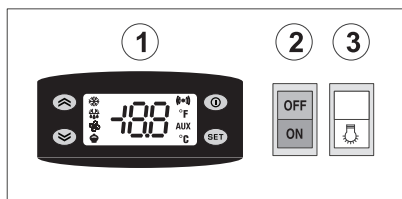
1	Symbols of Compliance	13	Absorption during Defrosting
2	Manufacturer's address	14	Absorption of Heating Elements
3	Production Order	15	Lamp Power
4	Type	16	Fuse Value
5	Model Name	17	Climate Class
6	Article	18	Number of Motors
7	Serial Number	19	Type of Coolant
8	Production Date	20	Amount of Coolant
9 - 10	Power Supply Voltage and Frequency	21	Safety Class
11	Gross Capacity	22 - 23	Customer order
12	Absorption at Rated Capacity	24	WEEE Mark

7. CONTROL PANEL

The control panel is made up from the following components:



1	Electronic control board
2	Cabinet switch
3	Light switch
4	Storage thermostat
5	Storage switch



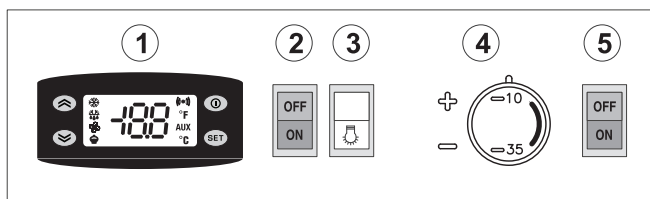
mod. 4, 6R, 7R, 9R



mod. 4, 7R



mod. 4, 7R



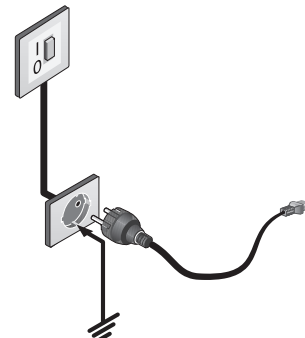
mod. 12R

7.1 Start-up

Activate the mains system master switch.

Plug the refrigerated cabinet in at the socket supplied by the customer, ensuring that the plug is fitted with an earth contact and that there are no multiple sockets connected to it.

Press the switch **(2/5)** to turn the equipment.



7.2 User Interface EW974 - EW978



Attention

The electronic control board should be installed using the default settings. Any changes to the control board settings can be carried out exclusively by qualified personnel.

When started, the instrument runs a **LAMP TEST** for a few seconds. The display and the LED flash to check they are intact and work.

KEYS	
	UP Scrolls menu options Increases the values Activates manual defrosting
	DOWN Scrolls menu options Decreases the values
	STAND-BY (ESC) Move up a level from the current menu Confirm the value of the parameter Activate the Stand-by function
	SET (ENTER) Accesses the Setpoint Accesses the programming menu Confirms input commands Displays any alarms (if included)
LED	
	COMPRESSOR or RELAY 1 ON for compressor on Flashing for delay, protection or activation locked
	DEFROSTING ON for defrosting in progress Flashing for manual activation
	ALARM ON for active alarm Flashing for silenced alarm
	FANS Not applicable

SET Button



Press the **SET (ENTER)** button and release immediately.
 The label "Set" will appear.
 To view the Setpoint value, press the **SET (ENTER)** again.
 The Setpoint value will appear on the display.
 To change the Setpoint value, press the **UP** and **DOWN** buttons within 15 seconds.
 To confirm the new programmed Setpoint value, press the **SET (ENTER)** button again.
 If you do not push any buttons for more than 15 seconds (time-out) or press the **STAND-BY (ESC)** button once, the last value displayed on the monitor is confirmed and the program returns to the previous page.

Check UP



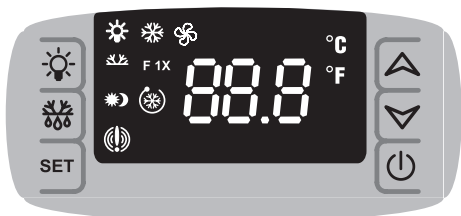
The alarm condition is always signalled by the buzzer (if installed) and by the LED next to the alarm icon.
 The alarm signal due to a faulty probe (probe 1) appears directly on the display of the instrument with the indication E1.
 The alarm signal due to a faulty evaporator (probe 2) appears directly on the display of the instrument with the indication E2.

Manual activation of the Defrosting cycle



The defrosting cycle is manually activated by keeping the **UP** button pressed for 5 seconds.
 If the conditions for a defrosting cycle are not right (e.g. temperature of the evaporator probe is higher than the temperature at the end of the defrosting cycle) the display will flash three (3) times to signal that the operation will not be performed.

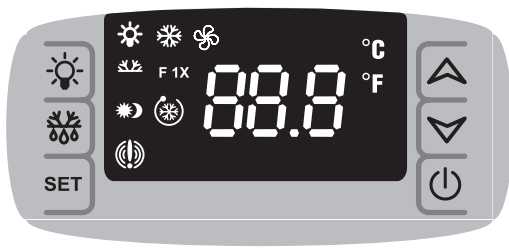
7.3 User Interface DIXELL XR44CX



Attention

The electronic control board should be installed using the default settings. Any changes to the control board settings can be carried out exclusively by qualified personnel.

KEYS - Single pressure	
	Not applicable.
	SBR Activate a manual defrost.
SET	For displays or modified the set-point. In programming mode it selects a parameter or confirm an operation.
	SU Displays the maximum temperature set. In programming mode it browses the parameter or increase the set point.
	GIU' Displays the minimum temperature set. In programming mode it browses the parameter value of the set-point.
	Turns on or off the 'equipment.



KEYS - Combined pressure

	To lock and unlock the keyboard.
SET +	To enter programming.
SET +	To exit the programming.

LED	Mode	Signification
	On	Compressor/s on
	Blinking	Anti-short cycle time delay
	On	Defrost in progress
	Blinking	Drip in progress
	On	Temperature alarm
	On	Continuous cycle in progress
	On	Energy saving in progress
°C / °F	On	Unit of measure
	Blinking	Programming

8. ROUTINE MAINTENANCE and REGULAR CHECKS

8.1 Cleaning inside the cabinet

a) Remove pans of ice cream relocate immediately to a special freezer to ensure the proper storage of the product.

b) Switch the appliance off (as applicable).

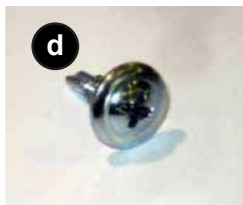
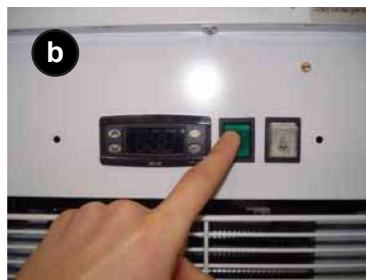
Wait at least 4 to 6 hours, until the ice on the evaporator has melted completely, before proceeding with cleaning operations. We recommend waiting until the following day to make sure the product has been completely defrosted.

c) Wash the bottom of the tank and the sides with a mild detergent, warm water and a cloth or a non-abrasive sponge. Rinse well and dry using a cloth.

d) If the panel of the tank bottom is fixed with screws proceed to the removal of the same and panel.

e) Whenever the appliance is fitted with drain, allow warm water to run through containing a suitable sanitizing solution. The amount of solution to use must be such to ensure perfect removal of any product residues and correct sanitization along the entire drainage route..

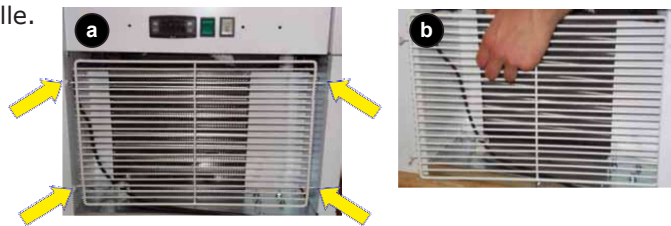
If the equipment is not joined to a floor drain, follow the procedure in paragraph previous year. rinse water will be collected in the tank positioned inside the base of the apparatus. Next, you will also to the cleaning and sanitizing of the collecting tank.



8.2 Access condensing unit

BACK

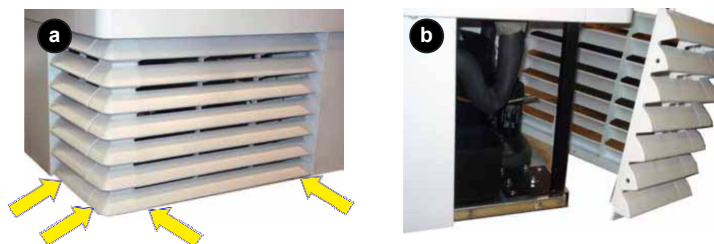
- a) Remove the fixing screws of the protective grille.
- b) Remove the protective grille.



8.3 Cleaning condensing unit

FRONT

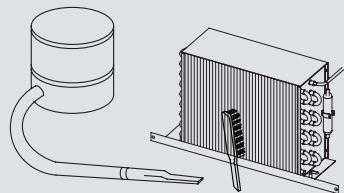
- a) Remove the fixing screws of the protective carter.
- b) Remove the protective carter.



Attention

Clean the condensing unit with a vacuum brush.

Clean the **CONDENSER** using a relevant brush with soft bristles; carry out the operation, paying attention not to bend the condenser foils.



C

8.4 External cleaning operations

The external surfaces must be cleaned as described below:

STAINLESS STEEL

Use only lukewarm water and non-aggressive detergents, then rinse and dry with a soft cloth.

ACRYLIC OR POLYCARBONATE SURFACES

Wash with lukewarm water, using a soft cloth or a chamois cloth. Do not use detergents, alcohol, acetone and solvents. Do not use abrasive cloths or sponges.

GLASS SURFACES

Only use products specifically designed for cleaning glass. We do not recommend using tap water, which may leave calcium deposits on the surface of the glass.

9. MAINTENANCE

Any work conducted on the equipment **MUST** involve disconnection from the power socket and in any case, none of the protective elements (grid, casing) should be removed by non-qualified staff. The equipment must absolutely not be operated when these protective elements have been removed.

The **person responsible for the equipment** is required to have maintenance performed on the equipment according to the frequency indicated in the table below, contacting the authorised **Technical Assistance** when necessary.

MAINTENANCE		
OPERATION	FREQUENCY	AUTHORISED PERSONNEL
Cleaning the external surfaces	Depending upon use and necessity	User
Cleaning the accessible internal parts (without the use of tools)	Depending upon use and necessity	User
Check power cable, plugs and/or electric sockets	Monthly / Six-monthly	User
Check integrity of sealing gaskets	Monthly	User
Condenser cleaning	Monthly / Six-monthly	Technical assistance
Check the compressor oil level (if included)	Six-monthly	Technical assistance
Air tank draining (if included)	Six-monthly	Technical assistance
Check pneumatic connections (if included)	Six-monthly	Technical assistance
Check integrity of chiller system piping	Six-monthly	Technical assistance
Inspect cables and internal power connections	Six-monthly	Technical assistance
Clean with sponges to dry out condensation (if included)	Six-monthly	Technical assistance

SPECIAL	
OPERATION	AUTHORISED PERSONNEL
Replace lamps / LED (if included)	Technical assistance
Replace control panel (electronic control unit - thermal switch - etc.)	Technical assistance
Replace power cable, plugs and/or electric sockets	Technical assistance

10. TECHNICAL ASSISTANCE

10.1 Faults

In the event of uncertain or no operation, **before requesting the intervention of the service** **Technical After-sales** carry out the following controls:

FAULT	CAUSE	SOLUTION
The appliance is not working	Blown protective fuse	Previously find the cause of the intervention of the switch, and then re-introduce the new fuse.
	The master switch is open	Close the master switch.
	The plug is not inserted	Insert the plug.
	Electric black-out	If the black-out should be prolonged, transfer the product into an appropriate cold storage container.
The internal temperature is not low enough	Evaporator/s obstructed completely by ice	Carry out an additional defrosting cycle.
	The wrong temperature has been set on the electronic control board	Set the appropriate temperature.
	The appliance is affected by draughts or is exposed to direct or reflected sunlight	Remove any excessive draughts and prevent any direct or reflected sunlight.
	Insufficient cooling air flow in the air condensing unit	Remove anything that may affect air flow inside the condensing unit (paper sheets, cardboard, grids with an insufficient number of holes, etc.).
	Internal fans at standstill or with fans damage	Contact the Technical Assistance service
	Internal ventilation is too high	Contact the Technical Assistance service
	Low electronic control board efficiency	Contact the Technical Assistance service Replace the electronic control board. The electronic control board, if designed for R290 refrigerant must be replaced only with an original provided by ISA . Replace the temperature probes only after checking which of the two is not operating efficiently.
	Air condensing unit blocked by dust or debris	Contact the Technical Assistance service . Clean the condensing unit thoroughly.
	Insufficient coolant in the cooling system	Contact the Technical Assistance service Find the cause behind the lower amounts of coolant and eliminate it. Top up the coolant. If necessary, empty the system before topping up.
The compressor does not start-up or operates for a few moments	No power supply	Check if there is a power cut. Close the various switches on the power supply line.
	The power supply voltage is too low	Check that the network voltage of the power supply cable is 220V +/- 10%.
	The temperature set on the thermostat is too high	If the set temperature is higher compared to the air in the display area, the compressor does not activate itself. Set a more suitable temperature if the current value is not low enough
	The pressure switch operated at maximum pressure (where present)	Contact the Technical Assistance service . Check the reasons why the pressure switch is operating at maximum pressure levels, such as: air condensing unit blocked, condensing unit fan stopped, ambient temperature too high, pressure switch broken.

10.2 List of alarms on electronic controller (if included)

ALARM	DESCRIPTION	SOLUTIONS
P1 E0 E1	Broken thermostat probe. Compressor trip with "CON" and "COF" parameters	Contact Technical Assistance . The alarm starts a few seconds after the probe breaks down; it stops a few seconds after the probe starts working again properly. We recommend checking the probe connections before replacing it.
P2 E1 E2	Broken evaporator probe. Set time for defrosting	Contact Technical Assistance . The alarm starts a few seconds after the probe breaks down; it stops a few seconds after the probe starts working again properly. We recommend checking the probe connections before replacing it.
HA AH1 HI	High temperature alarm	Contact Technical Assistance . The alarm automatically stops once the set temperature is reached. Check the settings.
LA AL1 LO	Low temperature alarm	Contact Technical Assistance . The alarm automatically stops once the set temperature is reached. Check the settings.
EA IA CB	External alarm	Contact Technical Assistance . The external alarm stops after the digital infeed is deactivated. It should be restarted automatically. The alarm is linked to the triggering of the pressure switch and/or of the thermal switch of the compressor when included.
ETc RTF	Real time clock is broken	Contact Technical Assistance . Reset the clock. If the alarm does not stop, replace the clock.
EE	Machine parameter error	Contact Technical Assistance . The instrument is damaged. It should be replaced.
EF	Operating parameters error	Contact Technical Assistance . The instrument is damaged. It should be replaced.
AD2 (only for EW974)	Defrosting due to time-out Defrosting ends due to time and not temperature	Wait for the next defrosting cycle for an automatic stop. If problem persists, contact Technical Assistance .

11. WARRANTY TERMS AND CONDITIONS



The seller's warranty on the equipment is valid for **12 (twelve) months from the date of delivery**.

The warranty includes repairs or replacements of any faulty parts due to manufacturing processes or installation after written communication has been received, stating the equipment's serial number and date of installation.

All defects caused by incorrect use of the equipment, inappropriate electrical connection, normal wear (for instance compressor failure and fluorescent lamp malfunctioning that is not due to manufacturing defects), as well as calls for installation, technical instructions, adjustments and cleaning, are not included in the warranty.

If the seller's technical staff detect any tampering, unauthorised repairs or inappropriate use of equipment the warranty will be invalidated.

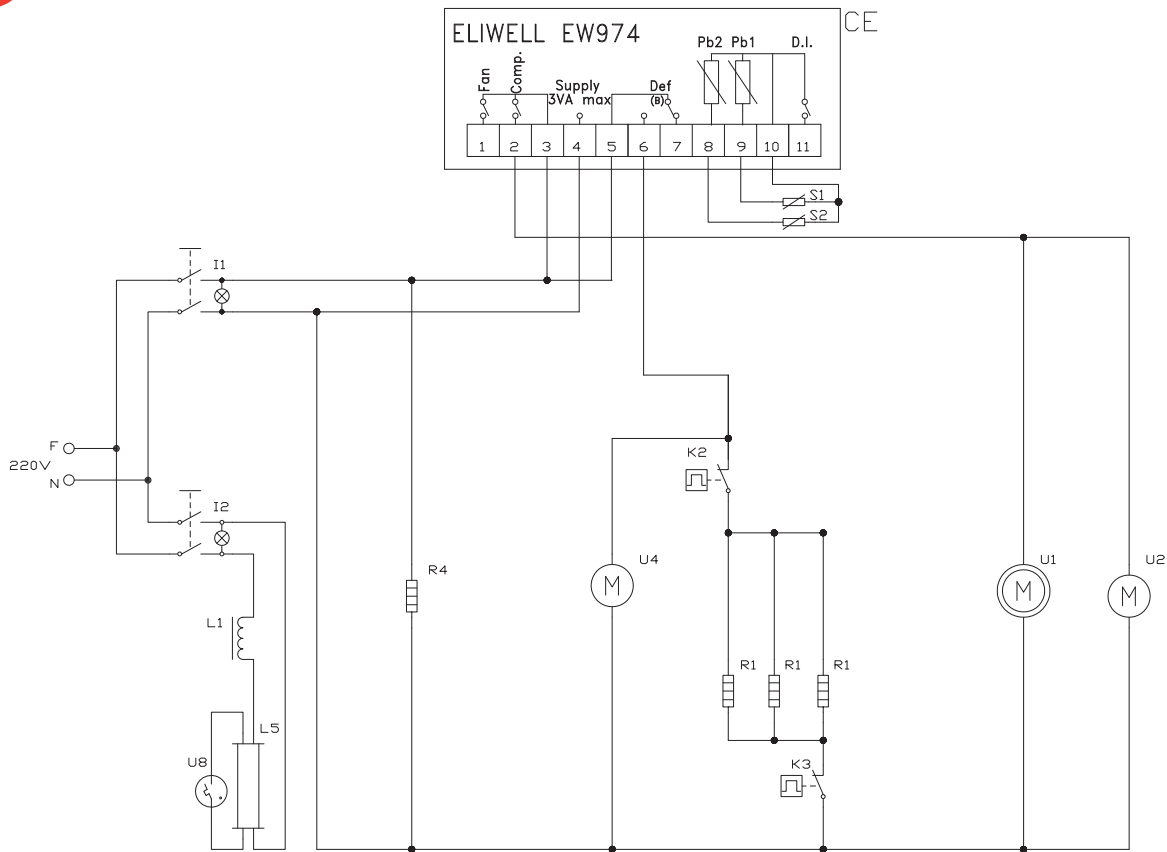
Shipment of components covered by the warranty is freight collect only.

Any damage to the equipment detected at the time of delivery due to transport must be reported on the same shipping note to claim compensation from the carrier.

The seller cannot be held liable in the event of damage to the preserved product due to failure of the equipment.

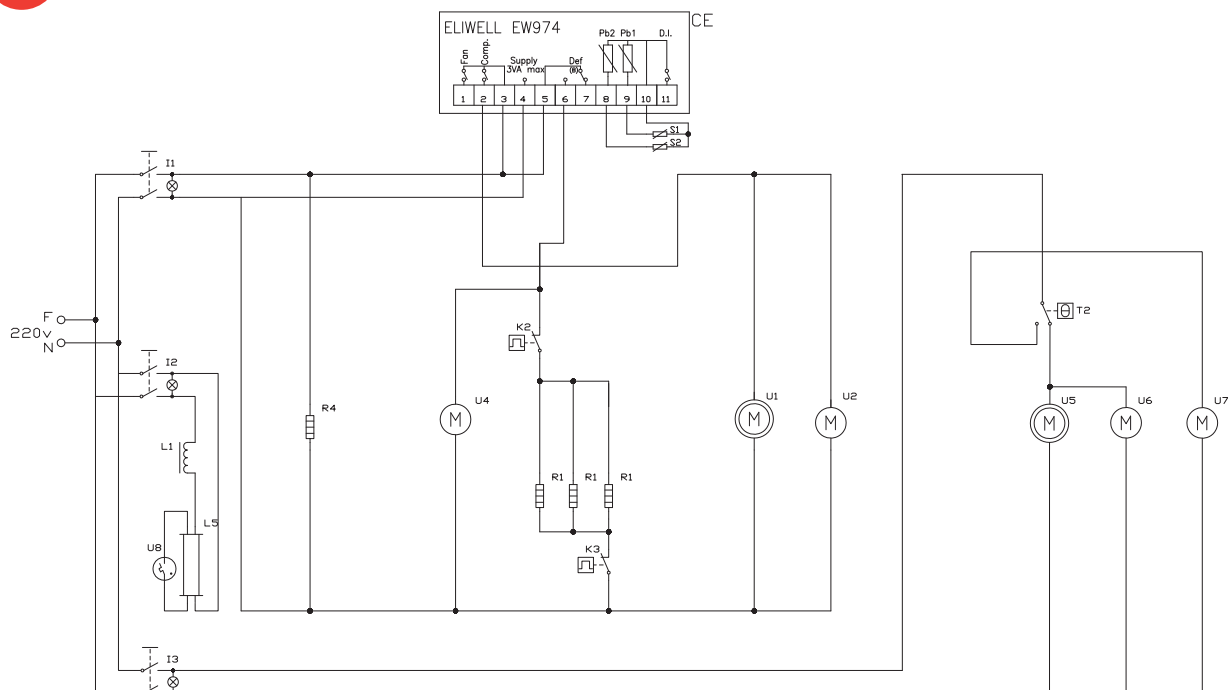
12. ANNEXES

N°		Code	Model	Page
1	Wiring diagram	412100109400	4 RS TB TP	26
			6R RS TB TP	
			7R RS TB TP	
			9R RS TB TP	
2	Wiring diagram	412119182400	12R RS TB TP	27
3	Wiring diagram	412100253000	6R RS TB TP	28
4	Wiring diagram	412100258000	4 RS TB TP	29
			7R RS TB TP	
5	Wiring diagram	412100308000	4 RS TB TP	30
			7R RS TB TP	
6	Declaration of conformity			40

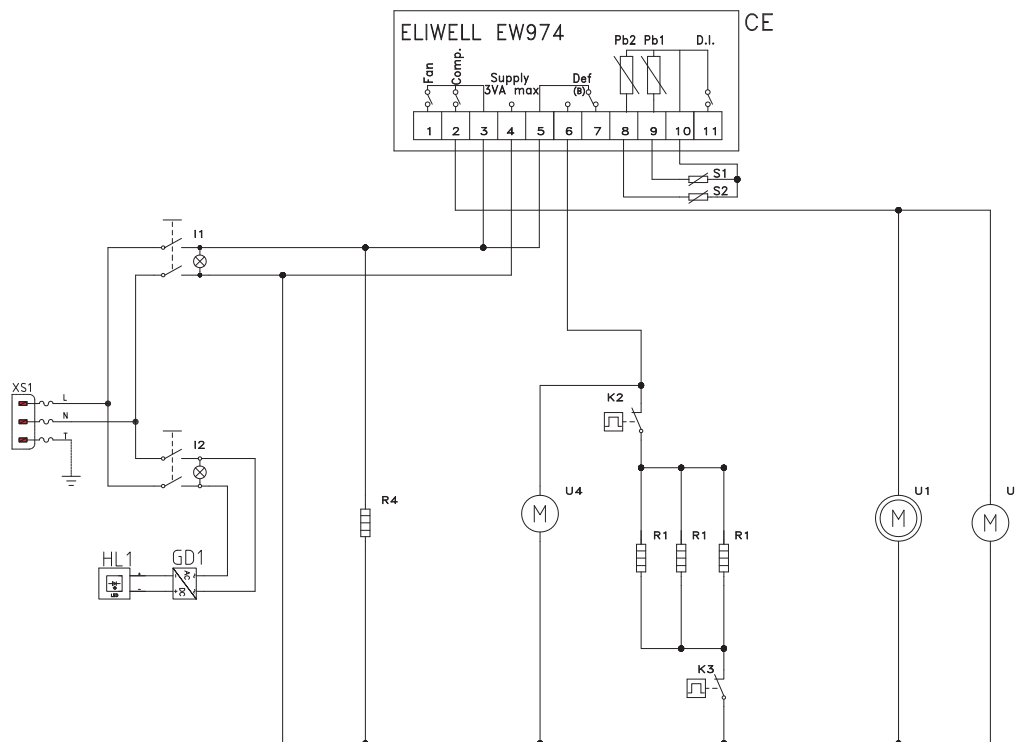


Model	4 RS TB TP
Model	6R RS TB TP
Model	7R RS TB TP
Model	9R RS TB TP
Code	412100109400
CE	Electronic control board
I1	Switch cabinet
I2	Lighting switch
K2	Klixon of end defrosting
K3	Safety Klixon
L1	Reactor
L5	Fluorescent tube T8
R1	Heating elements defrost
R4	Heating element worktop
S1	Temperature probe
S2	Defrosting probe
U1	Compressor
U2	Condenser ventilator
U4	Cleaning ventilator
U8	Starter

R404A

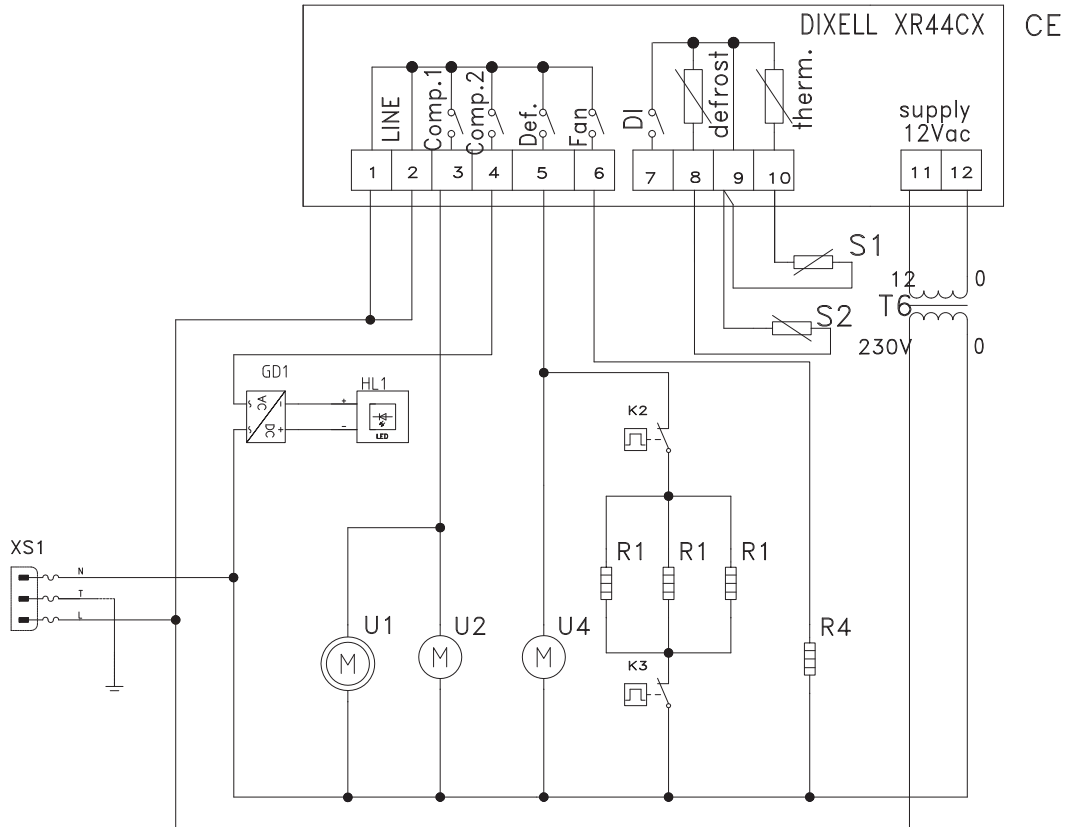


Model	12R RS TB TP
Code	412119182400
CE	Electronic control board
I1	Switch cabinet
I2	Lighting switch
I7	Storage switch
K2	Klixon of end defrosting
K3	Safety Klixon
L1	Reactor
L5	Fluorescent tube T8
R1	Heating elements defrost
R4	Heating element worktop
S1	Temperature probe
S2	Defrosting probe
U1	Compressor
U2	Condenser ventilator
U4	Cleaning ventilator
U5	Storage compressor
U6	Storage condenser ventilator
U7	Storage cleaning ventilator
U8	Starter
T7	Storage thermostat

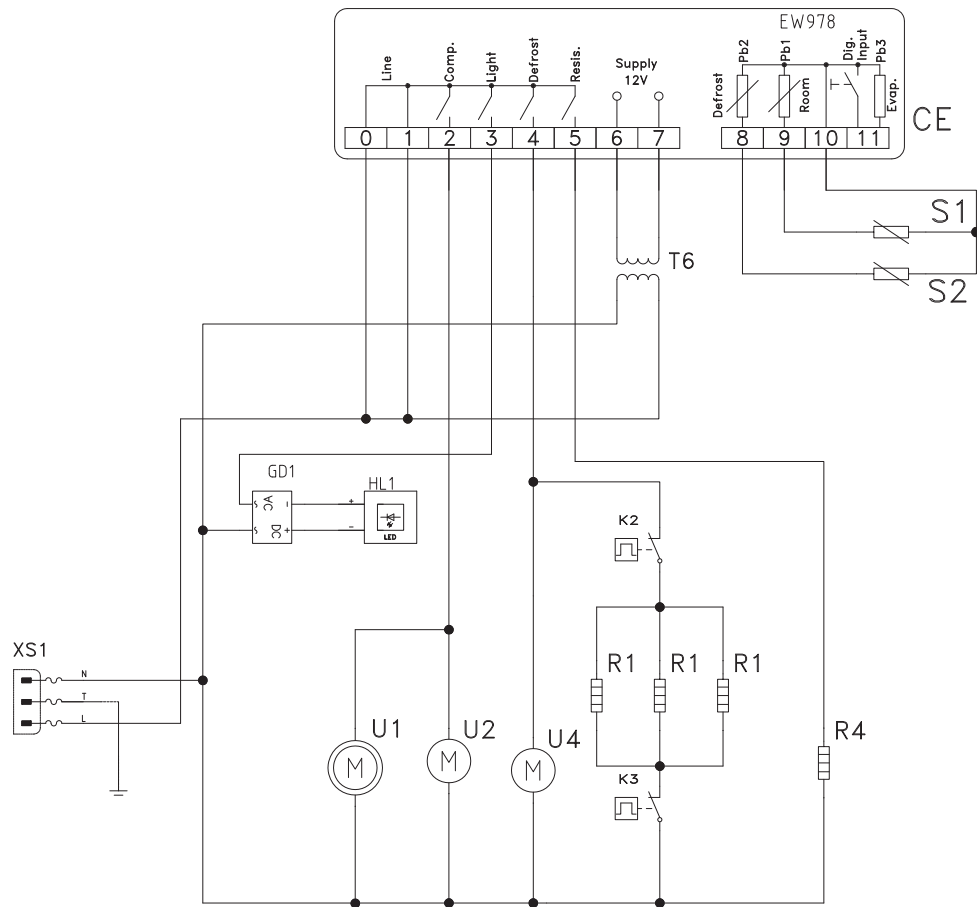


Model	6R RS TB TP
Code	412100253000
CE	Electronic control board
GD1	Power supply LED
HL1	LED
I1	Switch cabinet
I2	Lighting switch
R1	Heating elements defrost
R4	Heating element worktop
S1	Temperature probe
S2	Defrosting probe
U1	Compressor
U2	Condenser ventilator
U4	Cleaning ventilator
XS1	Power Cable

R290



Model	4 RS TB TP
Model	7R RS TB TP
Code	412100258000
CE	Electronic control board
GD1	Power supply LED
HL1	LED
K2	Klixon of end defrosting
K3	Safety Klixon
R1	Heating elements defrost
R4	Heating element worktop
S1	Temperature probe
S2	Defrosting probe
U1	Compressor
U2	Condenser ventilator
U4	Cleaning ventilator
XS1	Power Cable



Model	4 RS TB TP
Model	7R RS TB TP
Code	412100308000
CE	Electronic control board
GD1	Power supply LED
HL1	LED
K2	Klixon of end defrosting
K3	Safety Klixon
R1	Heating elements defrost
R4	Heating element worktop
S1	Temperature probe
S2	Defrosting probe
T6	Trasformer
U1	Compressor
U2	Condenser ventilator
U4	Cleaning ventilator
XS1	Power Cable

DECLARATION OF CONFORMITY

We: **ISA S.r.l.**
Via del Lavoro, 5 - 06083 - Bastia Umbra (PG)

declare under our own responsibility, that the product:

Product: **ISETTA**

Serial number:

To which this declaration refers, is in compliance with e following:

MACHINERY SAFETY

General electric safety Standard EN 60335-1/Ed.2002+Modifications A11:2004,A1:2004,A12:2006,A2:2006 + A13:2008 A15:2011. Particular requirements for commercial refrigerating appliances EN 60335-2-89/Ed.2010. Standard for Measuring Electro-magnetic Fields (EMF) of Electrical Appliances EN 62233:2008, Directive 2006/95/EC of the European Parliament and the Council of 12th December 2006 on the harmonisation of the Laws of Member States relating to electrical equipment for use within certain voltage limits EN 62471/Ed.2009 Photo-biologic safety of lamps and lamp systems

ELECTROMAGNETIC COMPATIBILITY (EMC)

Limits and methods of measurement of radio interference characteristics of household appliances and similar motor-operated and thermal appliances, of equipment, electrical appliances and similar equipment EN 55014-1 (valid until 2009: Ed.2000+Amendments A1:2001, A2:2002 - or: Ed.2006)

Minimum requirements for household appliances, tools and similar electrical appliances EN 55014-2 (Ed.1997+Amendment A1:2001) Part 3: Limits – Section 2: Limits for harmonic current emissions (equipment input current=16A per phase) EN61000-3-2 (valid until 2009:Ed.2000+Modification A2:2005-or:Ed.2006) Part 3:Limits-Section 3:Limitation of voltage fluctuations and flicker in low-voltage supply systems for equipment with rated current=16A EN61000-3-3 (Ed.1995+Modifications A1:2001,A2:2005) Part 4:Testing and measurement techniques Section 2:Electrostatic discharge immunity test EN61000-4-2 (Ed.1995) Part 4:Testing and measurement techniques Section 4: Electrical fast transient/burst immunity test EN61000-4-4 (Ed.1995)

PRESSURE EQUIPMENT DIRECTIVE (PED) 97/23/EC

As the equipment falls into a class lower than I, it is excluded from the PED's application field (art.1 par.3.6)

FOODSTUFF COMPATIBILITY

Regulation (CE) N.1935/2004 of the European Parliament and of the Council dated 27 October 2004 Regulation (CE) N.2023/2006 of the Council dated 22 December, Directive 2008/39/CE of the Council dated 6 March 2008 Directive 2007/19/CE of the Council dated 30 March 2007 Directive 2005/79/CE of the Council dated 18 November 2005 Directive 2004/19/CE of the Council dated 10 March 2004 Directive 2004/1/CE of the Council dated 6 January 2004 Regulation (UE) 10/2011 of the Council dated 14 January 2011

ROHS and WEEE

Directive 2011/95/EC of the European Parliament and of the Council of 8th June 2011
Directive 2002/96/EC of the European Parliament and of the Council of 27th January 2003

REACH

Regulation (CE) n. 1907/2006 of the European parliament and council dated 18 December 2006 concerning the recording, evaluation, authorisation and restriction of the chemical substances (REACH), which establishes a European Agency regarding chemical substances, which modifies the Directive 1999/45/CE and that repeals the Regulation (CEE) n. 793/93 of the Council and the regulation (CE) n. 1488/94 of the Commission 91/155/CEE, 93/105/CE and 2000/21/CE

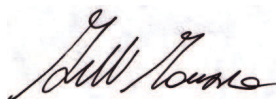
SUBSTANCES THAT REDUCE THE OZONE LAYER

Regulation (CE) N. 1005/2009 dated 16 September 2009 (Official Journal (OJ) of the European Union 31/10/2009 L286)
According to the requirements set by Directives: 2006/95/EC, 2004/108/EC, 2006/42/EC, 97/23/EC

The person authorised to draw-up the Technical Folder is Mr. **Minelli Maurizio** (Technical Department Manager)
Via del Lavoro 5 - 06083 Bastia Umbra (PG)

Bastia Umbra: **20 / 03 / 2015**
(place and date of issue)

Minelli Maurizio





ISA S.r.l.

Via del Lavoro, 5

06083 Bastia Umbra

Perugia - Italy

Tel. +39 075 80171

Fax +39 075 8000900

www.isaitaly.com