



**Bakery Cabinets
7455.17xx Series**

User Manual
Gebruikershandleiding
Gebrauchsanweisung
Le mode d'emploi



CONTENT

ENGLISH

SAFETY TIPS.....	3
INTENDED USE.....	4
LOCATION AND INSTALLATION.....	4
PARTS.....	5
OPERATION.....	7
CLEANING, CARE & MAINTENANCE.....	14
TROUBLESHOOTING.....	14
DISPOSAL.....	15
TECHNICAL DATA.....	16
WARRANTY.....	16

NEDERLANDS

VEILIGHEIDSTIPS.....	17
BEDOELD GEBUIK.....	18
LOCATIE EN INSTALLATIE.....	18
ONDERDELEN.....	19
GEBRUIK.....	21
SCHOONMAAK, ZORG EN ONDERHOUD.....	28
PROBLEMEN OPLOSSEN.....	28
VERWIJDERING.....	29
TECHNISCHE GEGEVENS.....	30
GARANTIE.....	30

DEUTSCH

SICHERHEITSHINWEISE.....	31
BESTIMMUNGSGEMÄßER GEBRAUCH.....	32
PLATZIERUNG UND INSTALLATION.....	32
BEDIENELEMENTE.....	33
FUNKTION UND HANDHABUNG.....	35
REINIGUNG, PFLEGE UND WARTUNG.....	42
FEHLERBEHEBUNG.....	43
ENTSORGUNG.....	44
TECHNISCHE DATEN.....	45
GEWÄHRLEISTUNG.....	45

FRANÇAIS

CONSEILS RELATIFS À LA SÉCURITÉ.....	46
UTILISATION PRÉVUE.....	47
EMPLACEMENT ET INSTALLATION.....	47
PIÈCES.....	48
MISE EN ROUTE.....	50
NETTOYAGE, SOIN ET ENTRETIEN.....	57
DÉPANNAGE.....	58
MISE AU REBUT.....	59
DONÉES TECHNIQUES.....	60
GARANTIE.....	60

SAFETY TIPS

IMPORTANT: for your safety read the manual carefully before installing or using this product. Save this manual for future reference.

Consult Local and National Standards to comply with the following:

1. Health and Safety at Work Legislation
2. Fire Precautions
3. IEE Wiring Regulations
4. Building Regulations
1. **DO NOT** use the appliance outside.
2. **DO NOT** attempt to service the item yourself.
3. **DO NOT** use damaged appliances. If you are in any doubt, consult service agent.
4. **DO NOT** use electrical appliances inside the appliance (e.g. heaters, ice-cream makers etc.), unless they are of the type recommended by the manufacturer.
5. Keep ventilation openings, in the appliance enclosure or in the built-in structure, clear of obstruction.
6. **DO NOT** use mechanical devices or other means to accelerate the defrosting process, other than those recommended by the manufacturer.
7. **DO NOT** damage the refrigerant circuit.
8. **DO NOT** stand or support yourself on the base, drawers or doors.
9. **DO NOT** allow oil or fat to come into contact with the plastic components or door seal. Clean immediately if contact occurs.
10. This unit can be used by children aged above 8 years and persons with reduced physical, sensory or mental capabilities or lacking of experience and knowledge who have been given supervision or using instruction of the device and understand the resulting risks (for European market).
11. Do not let children play with the appliance.
12. Cleaning and user maintenance must not be carried out by children without supervision.
13. **DO NOT** place combustible, explosive or volatile articles, corrosive acids or alkalis or liquids in the appliance.
14. **DO NOT** use this appliance to store medical supplies.
15. **DO NOT** use jet/pressure washers to clean the appliance.
16. **DO NOT** allow children to play with the packaging, and dispose plastic bags safely.
17. Bottles that contain a high percentage of alcohol must be sealed and placed vertically in the refrigerator.
18. Always carry, store and handle the appliance in a upright orientation and move by holding the base of the appliance.
19. Always switch off and disconnect the power supply to the unit before cleaning.
20. If the supply cord is damaged, it must be replaced by the manufacturer, its service agent or similarly qualified persons in order to avoid a hazard.
21. This appliance is not intended for use by persons (including children) with reduced physical, sensory or mental capabilities, or lack of experience and knowledge, unless they have been given supervision or instruction concerning use of the appliance by a person responsible for their safety (for market beyond European).
22. Children should be supervised to ensure that they do not play with the appliance.
23. For indoor use only. Not suitable for installation in an area where a water jet could be used. Shall not be cleaned by a water jet.
24. To guarantee safe operation, ensure that the appliance is set up and connected as described in the instruction manual.
25. Any repairs and work on the appliance should only be carried out by the customer service department/qualified technician.
26. The key to the electrical cabinet should be kept out of the reach of children and users.
27. Do not store explosive substances such as aerosol cans with a flammable propellant in this appliance.

INTENDED USE

Only use this appliance for cooling and storage of food and beverage for commercial purposes.

LOCATION AND INSTALLATION

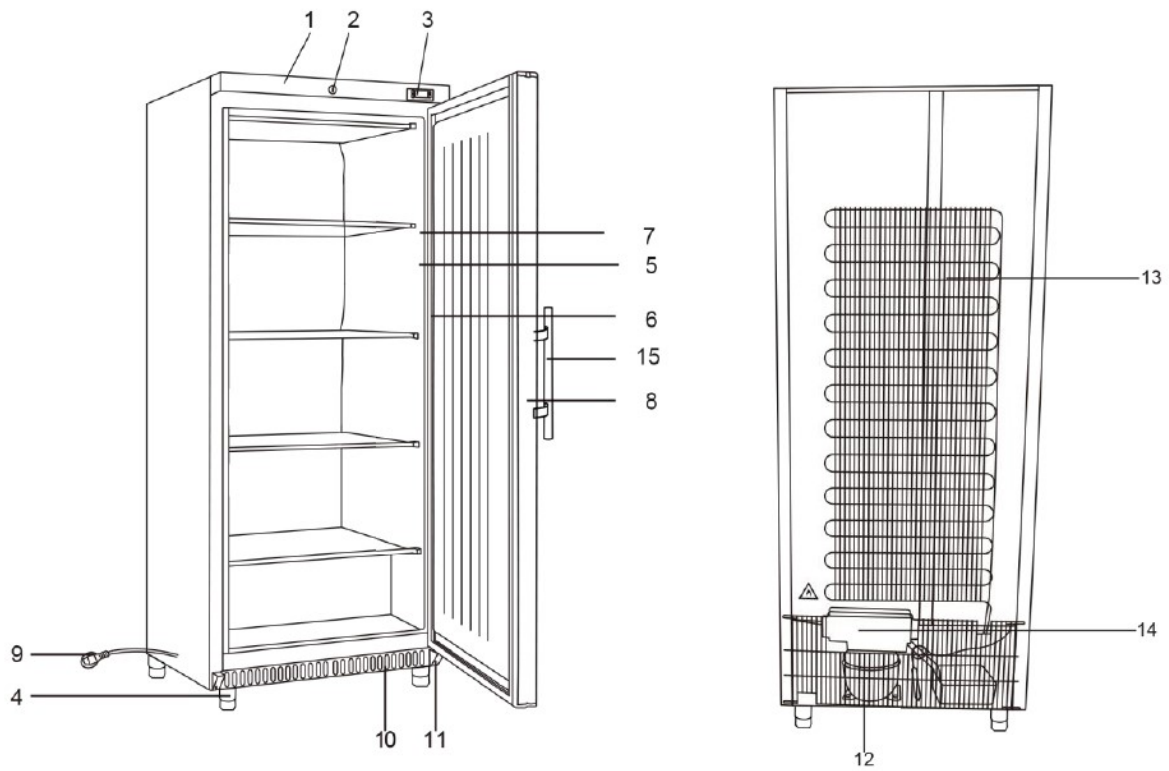
1. Remove the appliance from the packaging. Make sure that all protective plastic film and coatings are thoroughly removed from all surfaces. To prevent injury or damage to the unit, we recommend that the appliance should be unpacked and set up by two people.
2. Maintain a distance of 20 cm (7 inches) between the appliance and walls or other objects for ventilation. Increase this distance if the obstacle is a heat source.
3. The appliance should be placed on a solid flat and stable floor to reduce noise and vibration. Level the appliance by adjusting the feet.
4. The temperature in the place where the unit is located must be between 10°C and 32°C (Climatic Class 4).
5. Avoid locating the unit in direct sunlight or near heat sources such as ovens or radiators.
6. Please make sure the appliance is properly ventilated.
7. Check that the power supply and voltage used comply with the details on the rating plate. The plug must be accessible after installation.
8. Correctly connect and disconnect the plug. When inserting ensure the plug is fully engaged. While unplugging hold the body of the plug. Never pull the supply cord directly.
9. If the unit is to be shut down for long period, switch it off and disconnect the plug from socket outlet. Clean the appliance and leave the door open to prevent odor.
10. **Important! For your personal safety, this appliance must be properly grounded (earthed).** This appliance is equipped with a cord having a grounding wire with a grounding plug. The plug must be inserted into an outlet that is properly grounded and installed. Consult a qualified electrician or service center if you do not completely understand the grounding instructions. If doubt exists whether the appliance is properly grounded, have a qualified electrician check the circuit to make sure the outlet is properly grounded.
11. If the cable does not reach the nearest socket, either rearrange your store layout or ask a qualified electrician to fix a new socket.
12. If power is cut off, wait for at least 3 minutes before restarting the appliance to avoid damaging the compressor.
13. Do not place any appliance such as microwave oven, toaster, etc, which give off heat on the appliance.
14. Slide the shelf/drawer into place.

Note: If the unit has not been stored or moved in an upright position, let it stand upright for approximately 12 hours before operation.

Note: Before using the appliance for the first time, clean the shelves and interior with soapy water.

PARTS

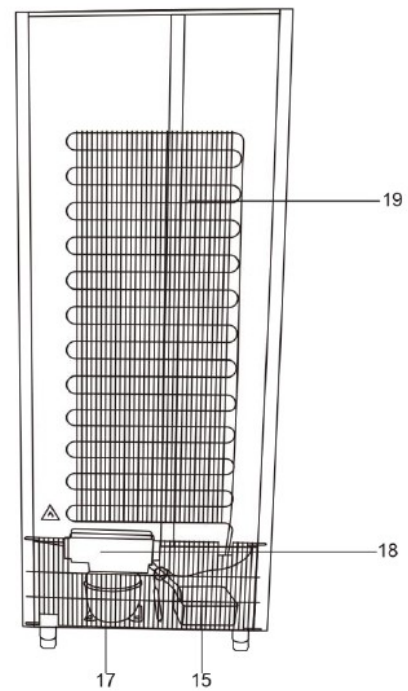
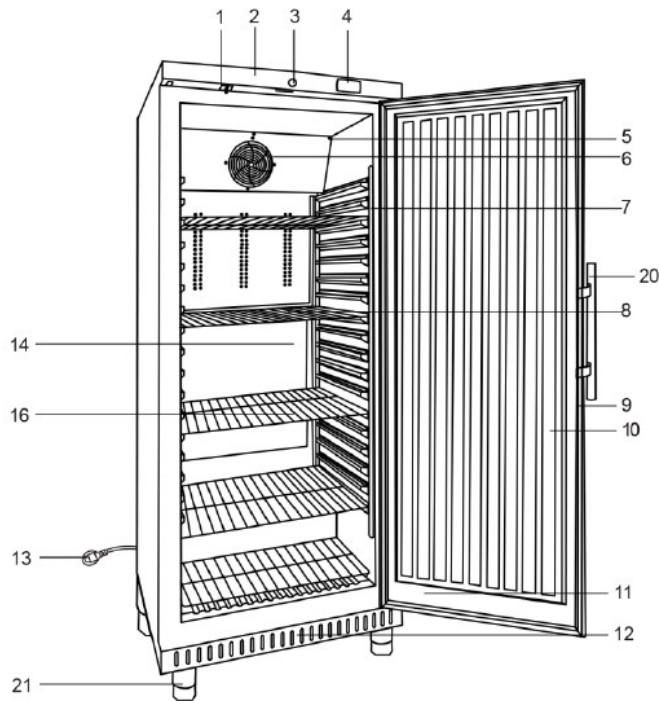
Freezer



- 1. Front panel
- 2. Lock
- 3. Controller
- 4. Feet
- 5. Shelf
- 6. Gasket
- 7. Light
- 8. Door
- 9. Plug
- 10. Down panel
- 11. Door down hinge
- 12. Compressor
- 13. Condenser
- 14. Condenser fan motor
- 15. Handle

PARTS

Refrigerator



1. Door switch for light
2. Front panel
3. Lock
4. Controller
5. Fan panel
6. Fan
7. Light
8. Shelf
9. Gasket
10. Door
11. Door down hinge
12. Down panel
13. Plug
14. Evaporator
15. Water container
16. Discharge outlet
17. Compressor
18. Condenser fan
19. Condensator
20. Handle
21. Feet

OPERATION

Storing food

To get the best results from your appliance, follow these instructions:

1. Only store foodstuffs in the appliance when it has reached the correct operating temperature.
2. Do not place uncovered hot food or liquid inside the appliance.
3. Wrap or cover food where possible.
4. Do not obstruct the fan inside the appliance.
5. Avoid opening the doors for prolonged periods of time.
6. The food must be put into container before placed into cabinet or on the shelf. Food must not be placed into food cabinet directly.

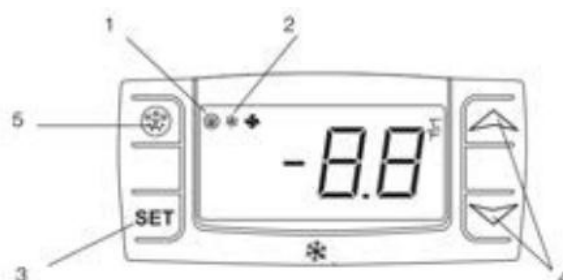
Turn on

1. Close the door of the appliance.
2. Ensure the power switch is set to [O] then connect to the power outlet.
3. Switch on the Power [I]. The current temperature within the appliance is displayed.
4. The * on the control panel will flash to indicate a delay to compressor start.

Temperature setting and control

The front panel of the thermostat display:

1. Defrost indicator
2. Compressor operation indicator
3. SET key
4. Temperature modification keys
5. Defrost button



How the see the set point

5. Push and immediately release the SET key, the set point will be showed.
6. Push and immediately release the SET key or wait about 15s to return to normal visualisation.

How to change the set point

- Push the SET key for more than 2 seconds to change the set point value;
- The value of the set point will be displayed and the "°C" starts blinking;
- To change the set value push the „^“ (up) or „v“ (down) arrows within 15s.
- To memorise the new set point value push the SET key again or wait 15s.

Automatic defrost

The appliance will automatically run defrost cycles.

Note: The cycle starts from the time the appliance is initially powered up.

Manual defrost

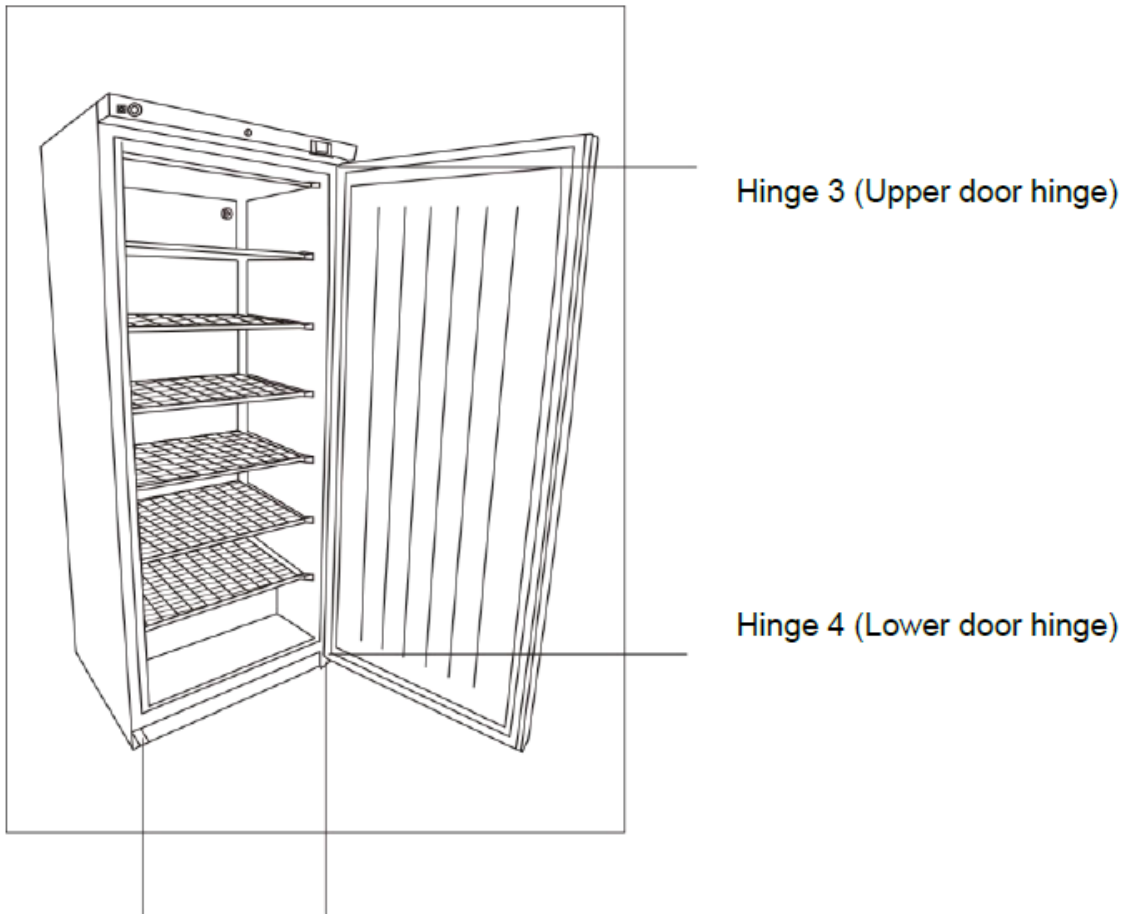
1. Press and hold the DEFROST button for 5 seconds.
2. The defrost cycle will start immediately and the Defrost LED illuminates.

Note: Starting a manual defrost also resets the automatic defrost timer.

Changing the Door Hinge

The door can be changed from right hand-hinged to left hand-hinged, or vice versa. To do so, proceed as follows:

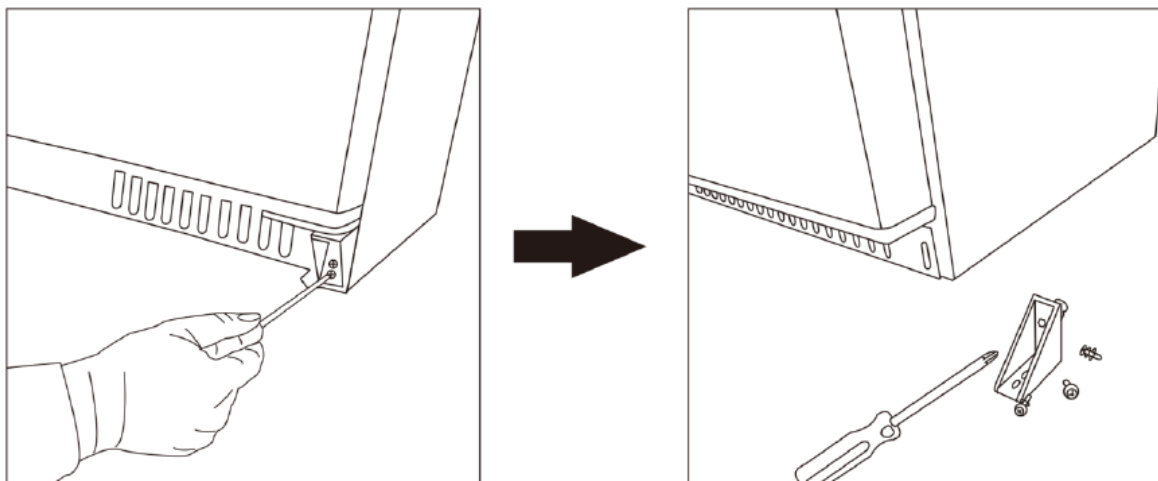
1. Switch off power and disconnect from the main socket.



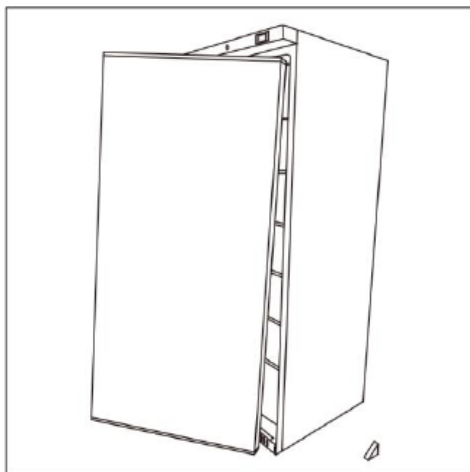
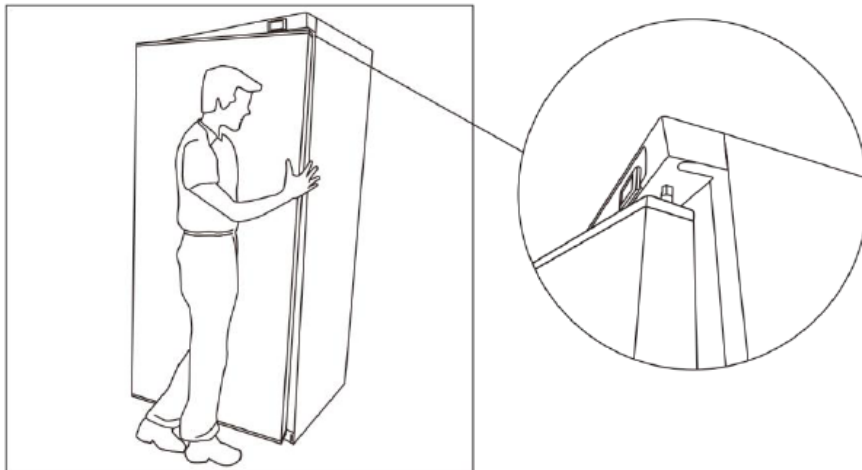
Hinge 1*(see remark) Hinge 2

Remark: it has a small roller that helps slide the door down when closing and function as a door support.

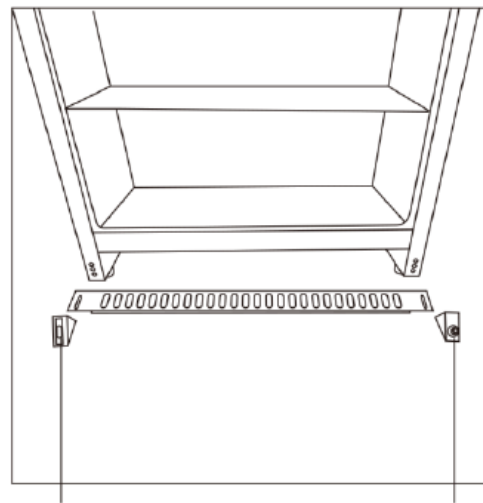
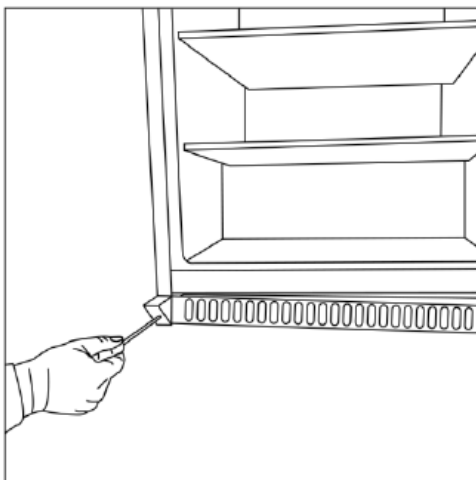
2. Remove hinge 2



3. Take off the door



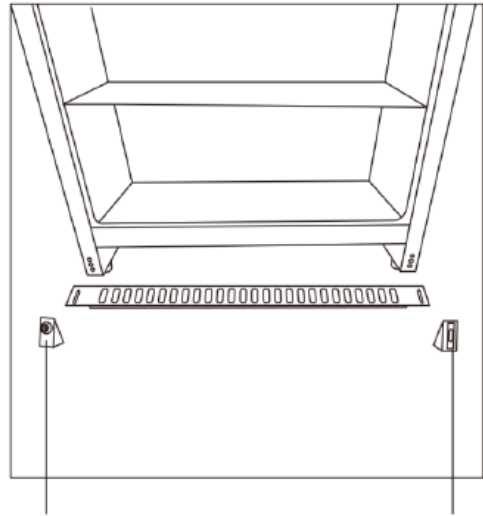
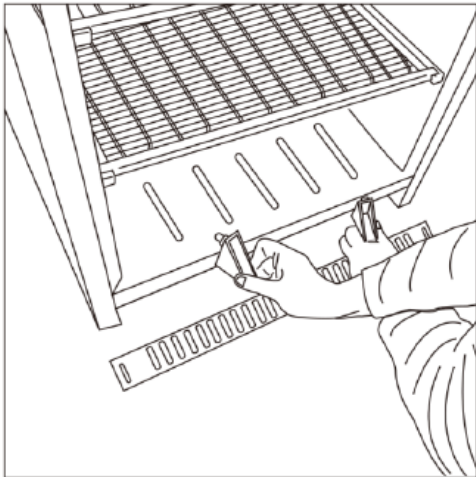
4. Remove hinge 1



Hinge 1

Hinge 2

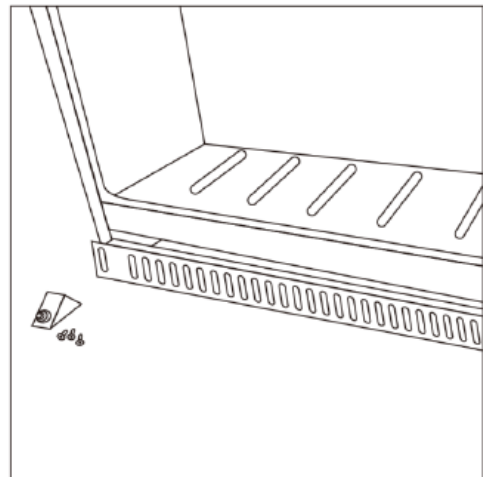
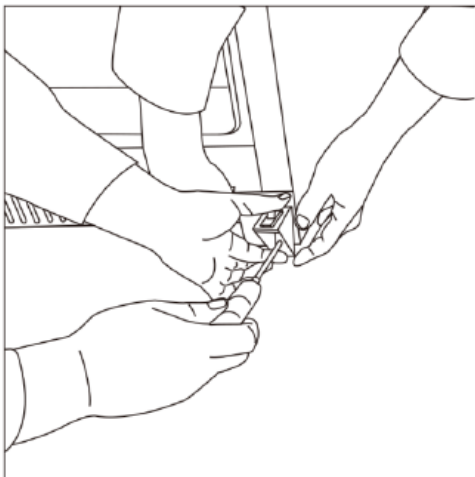
5. Change the two hinge positions



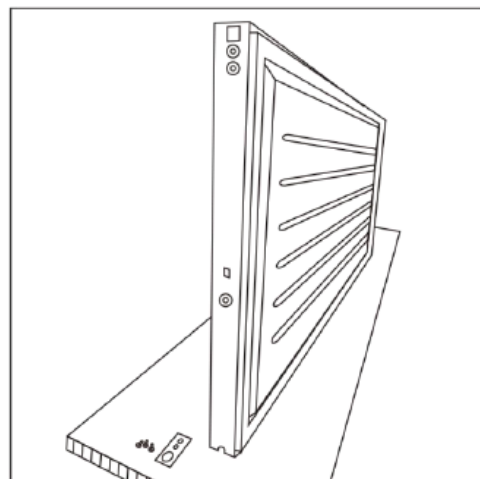
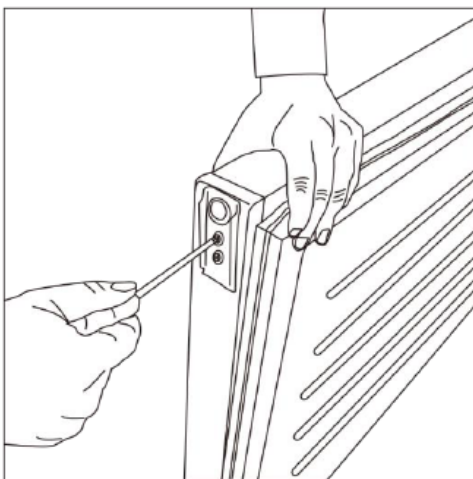
Hinge 2

Hinge 1

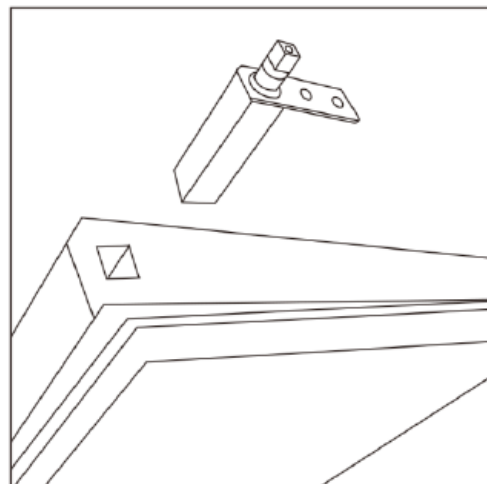
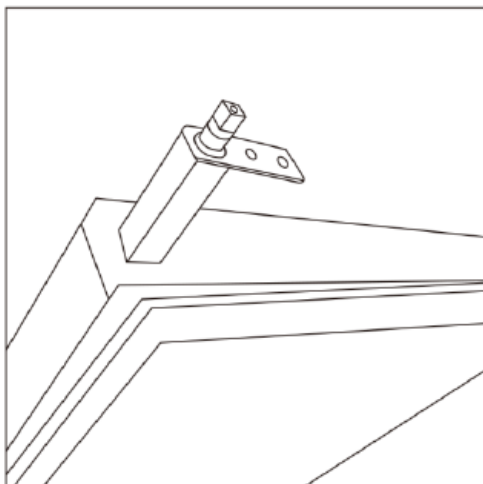
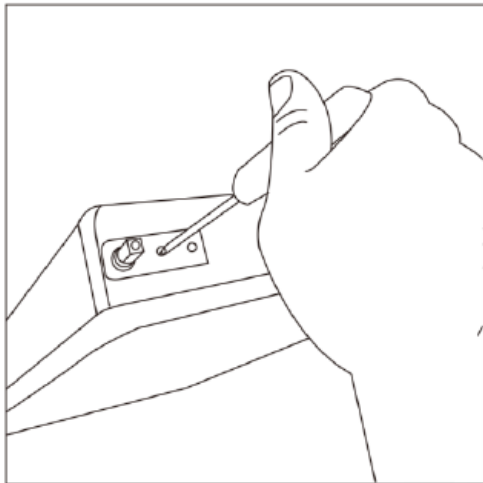
6. Fix hinge 1



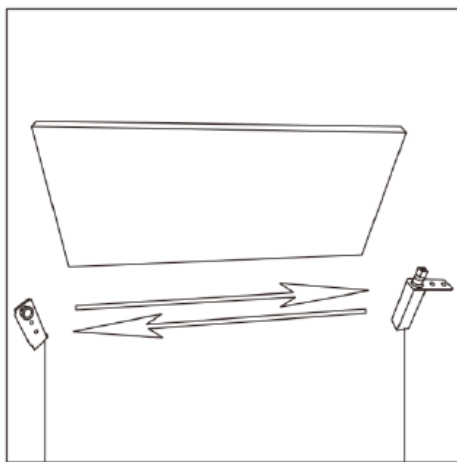
7. Remove hinge 4 (lower door hinge)



8. Remove hinge 3 (upper door hinge)

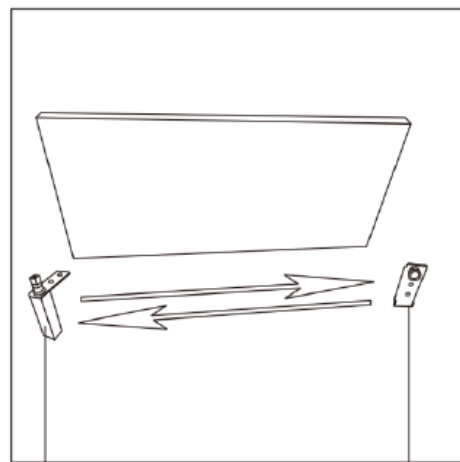


9. Exchange the position of hinge 3 and hinge 4



Hinge 4

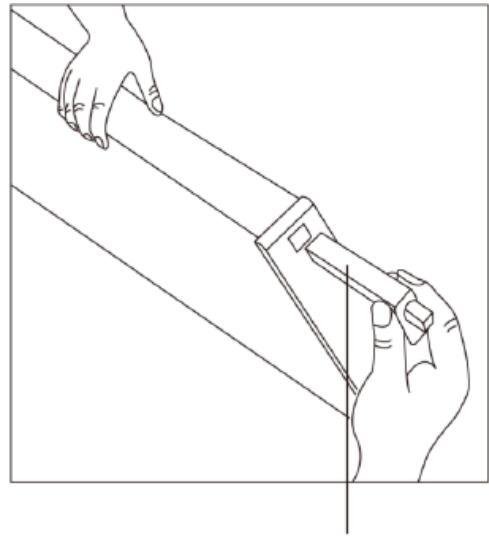
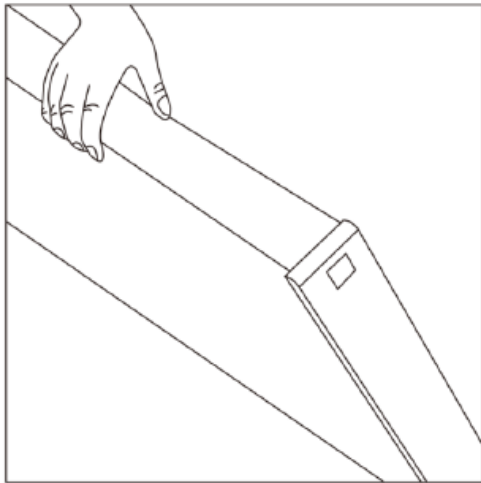
Hinge 3



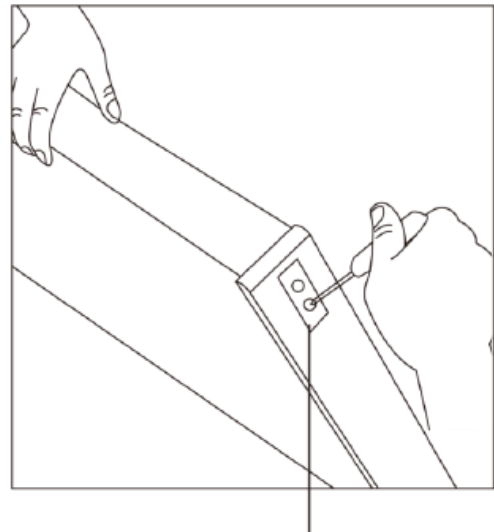
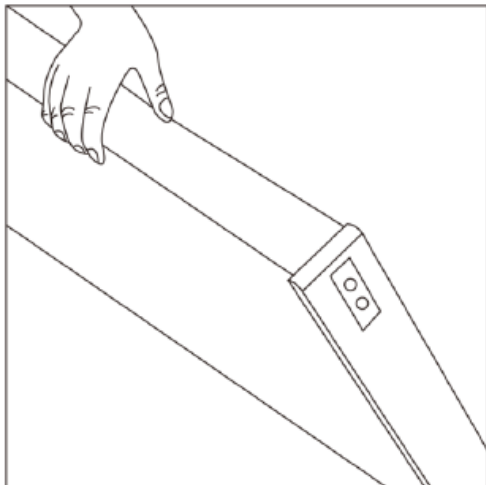
Hinge 3

Hinge 4

10. Fix hinge 3 and hinge 4 on the door

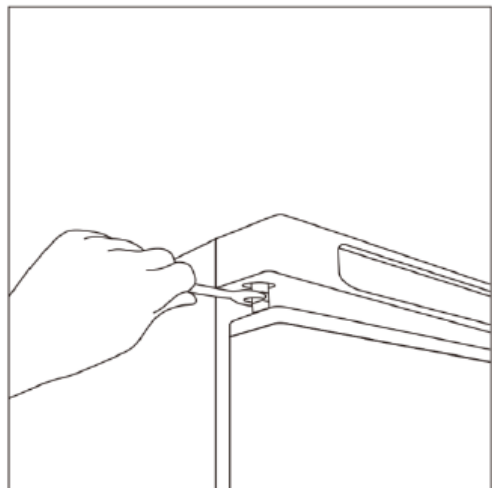
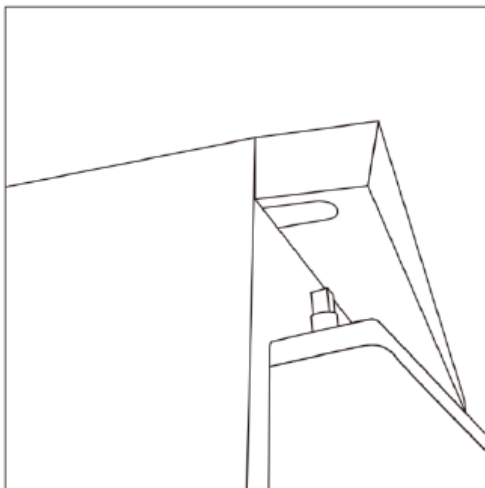


Hinge 3

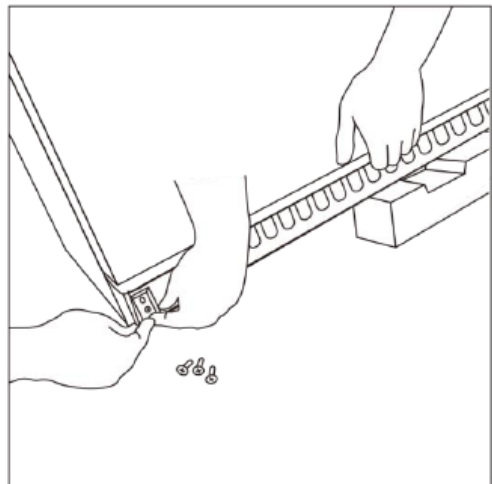
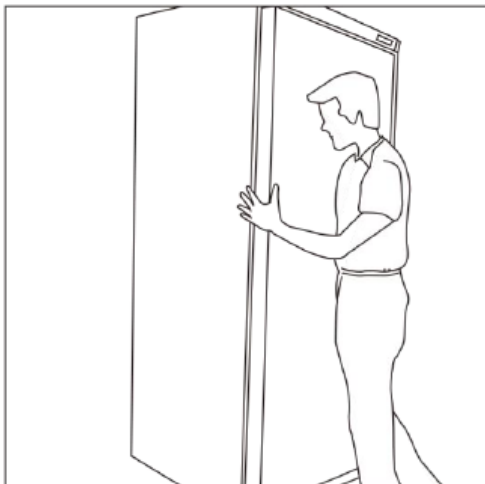


Hinge 4

11. Turn the door upside down and connect to the upper hinge



12. Fix hinge 2



CLEANING, CARE & MAINTENANCE

Routine maintenance

Switch off and disconnect from the power supply before cleaning.

- Clean the enclosure and interior of the appliance as often as possible.
- Clean the unit with moist cloth. Never allow the switch, control panel, cable or plug to get wet.
- Do not use abrasive cleaning agents. These can leave harmful residues. Use only mild soapy water.
- Clean the door seal with water only.
- Ensure that no cleaning water penetrates into the electrical components.
- Must not be cleaned by a water jet.
- Always wipe dry after cleaning with soft cloth.
- Do not allow water used in cleaning to run through the drain hole into the evaporation pan.
- Take care when cleaning the rear of the appliance.
- An agent or technician must carry out repairs if required.
- If the appliance is to be left inactive for long periods, unplug the appliance after having turned the switch to OFF position, empty the refrigerating compartment and clean thoroughly.

Special maintenance

The instructions given in the following paragraph can be followed from qualified technicians

- Periodically clean the condenser using suitable tools (vacuum cleaner or soft brushes) can extend the life of the appliance.
- Check that the electrical connections are not loose.
- Check that the thermostat and the sensor are in proper working order.

TROUBLESHOOTING

Fault	Potential failure	Problem solving action
The appliance is not working	The unit is not switch on	Check the unit is plugged in correctly and switched on
	Plug and lead are damaged	Call your agent or qualified technician
	Fuse in the plug has blown	Replace the fuse
	Power supply	Check power supply
The appliance turns on, but the temperature is too high/low	Too much ice on the evaporator	Defrost the appliance
	Condenser blocked with dust	Call your agent or qualified technician
	Doors are not shut properly	Check doors are shut and seals are not damaged
	Appliance is located near a heat source or air flow to the condenser is being interrupted	Move the refrigerator to a more suitable location
	Ambient temperature is too high	Increase ventilation or move appliance to a cooler position
	Unsuitable foodstuffs are being stored in the appliance	Remove any excessive hot foodstuffs or blockages to the fan
Appliance is overloaded	Reduce the amount of food stored in the appliance	

The appliance is leaking water	The appliance is not properly levelled	Adjust the screw feet to level the appliance (if applicable)
	The discharge outside is blocked	Clear the discharge outlet
	Movement of water to the drain is obstructed	Clear the floor of the appliance (if applicable)
	The water container is damaged	Call your agent or qualified technician
	The drip tray is over flowing	Empty the drip tray (if applicable)
The appliance is unusually loud	Loose nut/screw	Check and tighten all nuts and screws
	The appliance has not been installed in a level or stable position	Check installation position and change if necessary

DISPOSAL

If the appliance is no longer of use and you wish to dispose of it, remove doors to prevent any small child from being trapped inside. Then please do in an environmentally correct way.

Contact a qualified service technician:

- To recover all Freon/refrigerant
- To remove the compressor or remove the oil from the compressor
- To remove the flammable insulation blowing gases

Then the distributor/ retailer can contact their local metal recycling center to pick up the remaining cabinet, shelves, etc.

There may be special requirements or conditions. You can obtain information on the disposal of refrigeration appliances from:

- Your supplier
- Government authorities (The local council, Ministry of the Environment, etc.)

By law, disposal of hazardous wastes may be subject to fines and imprisonment under the provisions of the environmental regulations.

1. The refrigerant of this unit is a hydrocarbon refrigerant and is covered by the Kyoto Protocol.
2. Releasing the refrigerant to the atmosphere will harm the environment by contributing to the global warming. The Global Warming Potential (GWP) of R600a/R290 is 3.

Disposal



Discarded electric appliances are recyclable and should not be discarded in the domestic waste! Please actively support us in conserving resources and protecting the environment by returning this appliance to the collection centres (if available).



Dispose of packaging in accordance to applicable legal regulations.

TECHNICAL DATA

Model	Refrigerator	Freezer
Climate class	<p>Please refer to the information indicated on the product. You will find the information on the rating label on the back of the unit as well as inside the cooling compartment.</p> <p>The circuit diagram is displayed on the back of the unit as well as inside the cooling compartment.</p>	
Refrigerant gas		
Refrigerant charge		
Temperature range (°C)		
Input power		
Rated frequency		
Rated voltage		
Internal volume		
Net weight		
Gross weight		
Foaming agent		
External dimension (mm)		



CAUTION: RISK OF FIRE AND EXPLOSION WITH FLAMMABLE REFRIGERANT R600a/ R290.



WARANTY

A statutory warranty applies for this product.

Damages caused by wrong treatment or operation, by false placement or storage, improper connection or installation, as well as force or other external influences are not covered by this warranty. We recommend careful reading of the operating instructions as it contains important information.

Note:

1. In case this product does not function correctly, please firstly check if there are other reasons, e.g. for electrical appliances interruption of the power supply, or generally incorrect handling are the cause.
2. Please note that, where possible, the following documents or rather information should be provided together with your faulty product:
 - Purchase receipt
 - Model description/ Type/ Brand
 - Describe the fault and problem as detailed as possible

In the case of a claim for guarantee or defects, please contact the seller.

GWL 8/14 EN

VEILIGHEIDSTIPS

BELANGRIJK: voor uw veiligheid lees de handleiding zorgvuldig door voordat u dit product installeert of gebruikt. Bewaar deze handleiding voor toekomstige verwijzing.

Raadpleeg lokale en nationale normen om aan het volgende te voldoen:

- Wetgeving inzake gezondheid en veiligheid op het werk
 - Brandvoorzorgsmaatregelen
 - IEE Bedrading Regels
 - Bouwregels
1. Gebruik het toestel **NIET** buiten.
 2. Probeer **NIET** het product zelf te bedienen.
 3. Gebruik **GEEN** beschadigde apparaten. Als u twijfelt, raadpleeg uw serviceagent.
 4. Gebruik **GEEN** elektrische apparaten in het toestel (bijvoorbeeld verwarmers, ijsmakers, enz.), tenzij ze van het type zijn die door de fabrikant worden aanbevolen.
 5. Houd ventilatieopeningen, in de behuizing of in de ingebouwde structuur, vrij van obstructie.
 6. Gebruik **GEEN** mechanische apparaten of andere middelen om het ontdooiproces te versnellen, behalve die aanbevolen door de fabrikant.
 7. Beschadig de koelvloeistofkring **NIET**.
 8. Ga **NIET** staan of steunen op de basis, laden of deuren.
 9. Laat **GEEN** olie of vet in aanraking komen met de plastic onderdelen of deurafdichting. Reinig onmiddellijk als er contact optreedt
 10. Dit toestel kan worden gebruikt door kinderen ouder dan 8 jaar en personen met een beperkte lichamelijke, zintuiglijke of mentale capaciteit of gebrek aan ervaring en kennis indien onder toezicht of als ze de instructies voor het apparaat gekregen hebben en de daaruit voortvloeiende risico's begrijpen (voor de Europese markt).
 11. Laat kinderen niet met het apparaat spelen.
 12. Schoonmaak- en onderhoudswerkzaamheden mogen niet door kinderen zonder begeleiding worden uitgevoerd.
 13. Plaats **GEEN** brandbare, explosieve of vluchtige artikelen, corrosieve zuren of alkaliën of vloeistoffen in het apparaat.
 14. Gebruik dit apparaat **NIET** om medische benodigdheden op te slaan.
 15. Gebruik **GEEN** jet/drukwassers om het apparaat schoon te maken.
 16. Het is kinderen **NIET** toegestaan om te spelen met de verpakking, gooi de plastic zakken veilig weg.
 17. Flessen die een hoog percentage alcohol bevatten, moeten verzegeld worden en verticaal in de koelkast geplaatst worden.
 18. Draag, bewaar en gebruik het apparaat altijd rechtop en verplaats het door het aan de onderkant van de basis vast te houden.
 19. Zet het apparaat altijd uit en trek de stekker uit voordat u het apparaat schoonmaakt.
 20. Als het netsnoer beschadigd is, moet deze vervangen worden door de fabrikant, diens serviceagent of gelijkwaardige personen om gevaar te voorkomen.
 21. Dit apparaat is niet bedoeld voor gebruik door personen (inclusief kinderen) met verminderde lichamelijke, zintuiglijke of mentale vermogens, of gebrek aan ervaring en kennis, tenzij zij een toezicht of instructie hebben aangaande het gebruik van het apparaat door een persoon die verantwoordelijk is voor hun Veiligheid (voor de markt buiten Europa).
 22. Kinderen moeten worden gecontroleerd om ervoor te zorgen dat ze niet met het apparaat spelen.
 23. Alleen voor gebruik binnenshuis. Niet geschikt voor installatie in een gebied waar een waterstraal gebruikt kan worden. Niet met een waterstraal reinigen.
 24. Voor een veilige werking, zorg ervoor dat het apparaat is geïnstalleerd en aangesloten zoals beschreven in de gebruiksaanwijzing.
 25. Alle reparaties en werkzaamheden op het apparaat mogen uitsluitend door de klantenservice/een gekwalificeerde technicus uitgevoerd worden.
 26. De sleutel tot de elektrische kast moet buiten bereik van kinderen en gebruikers worden gehouden.
 27. Bewaar geen explosieve stoffen zoals aerosol blikjes met een brandbaar drijfgas in dit apparaat.

BEDOELD GEBUIK

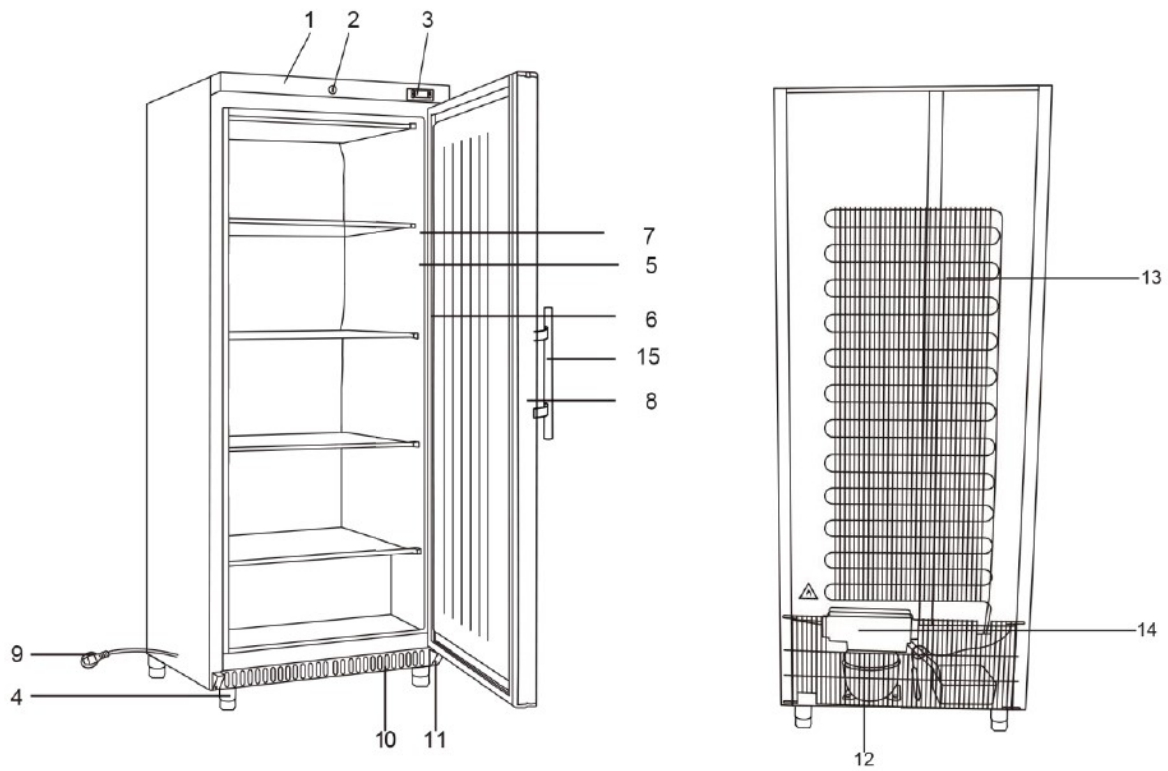
Gebruik dit apparaat alleen voor het koelen en opslaan van voedsel en dranken voor commerciële doeleinden.

LOCATIE EN INSTALLATIE

1. Verwijder het apparaat uit de verpakking. Zorg ervoor dat alle beschermende kunststoffolie en coatings grondig van alle oppervlakken verwijderd worden. Om te voorkomen dat er sprake is van letsel of beschadiging van het toestel, raden wij u aan het toestel uit te pakken en op te zetten met twee personen.
2. Bewaar een afstand van 20 cm tussen het apparaat en de muren of andere voorwerpen voor ventilatie. Verhoog deze afstand als het obstakel een warmtebron is.
3. Het apparaat moet op een stevige, vlakke en stabiele vloer geplaatst worden om geluid en trillingen te verminderen. Nivelleer het apparaat door de voeten aan te passen.
4. De temperatuur op de plaats waar het apparaat zich bevindt, moet tussen 10°C en 32°C (Klimaatklasse 4) zijn.
5. Vermijd het plaatsen van het toestel in direct zonlicht of in de buurt van warmtebronnen zoals ovens of radiatoren.
6. Zorg ervoor dat het apparaat goed geventileerd is.
7. Controleer of de voedingsspanning en de gebruikte spanning voldoen aan de details op het typeplaatje. De stekker moet na de installatie toegankelijk zijn.
8. Steek de stekker juist in en trek hem juist uit. Zorg ervoor dat de stekker volledig ingebouwd is. Houd de stekker van het stopcontact vast terwijl u het loskoppelt. Trek nooit rechtstreeks aan het netsnoer.
9. Als het apparaat langere tijd moet worden uitgeschakeld, moet u het uitschakelen en de stekker uit het stopcontact trekken. Maak het apparaat schoon en laat de deur open om geuren te voorkomen.
10. **Belangrijk! Voor uw persoonlijke veiligheid moet dit apparaat goed geaard zijn.** Dit toestel is uitgerust met een kabel met een aardingsdraad met een aardingsstekker. De stekker moet in een stopcontact worden geplaatst dat goed geaard en geïnstalleerd is. Raadpleeg een gekwalificeerd elektricien of servicecentrum als u de aardingsinstructies niet goed begrijpt. Als er twijfels bestaan of het apparaat goed is gemonteerd, laat dan een gekwalificeerde elektricien het circuit controleren om ervoor te zorgen dat het stopcontact goed geaard is.
11. Als de kabel het dichtstbijzijnde stopcontact niet bereikt, moet u uw winkel opnieuw indelen of een gekwalificeerde elektricien vragen om een nieuw stopcontact te maken.
12. Als de stroom uitvalt, wacht minimaal 3 minuten voordat u het apparaat opnieuw start, om de compressor niet te beschadigen.
13. Plaats op het apparaat geen apparaat zoals een magnetron, broodrooster, enz. die warmte afgeven.
14. Schuif de plank/lade op zijn plaats. Opmerking: als het apparaat niet in de rechtopstaande positie is opgeslagen of verplaatst, laat het ongeveer 12 uur voor gebruik rechtop staan.
Opmerking: Voordat u het apparaat voor het eerst gebruikt, maak de planken en het interieur schoon met zeepwater.

ONDERDELEN

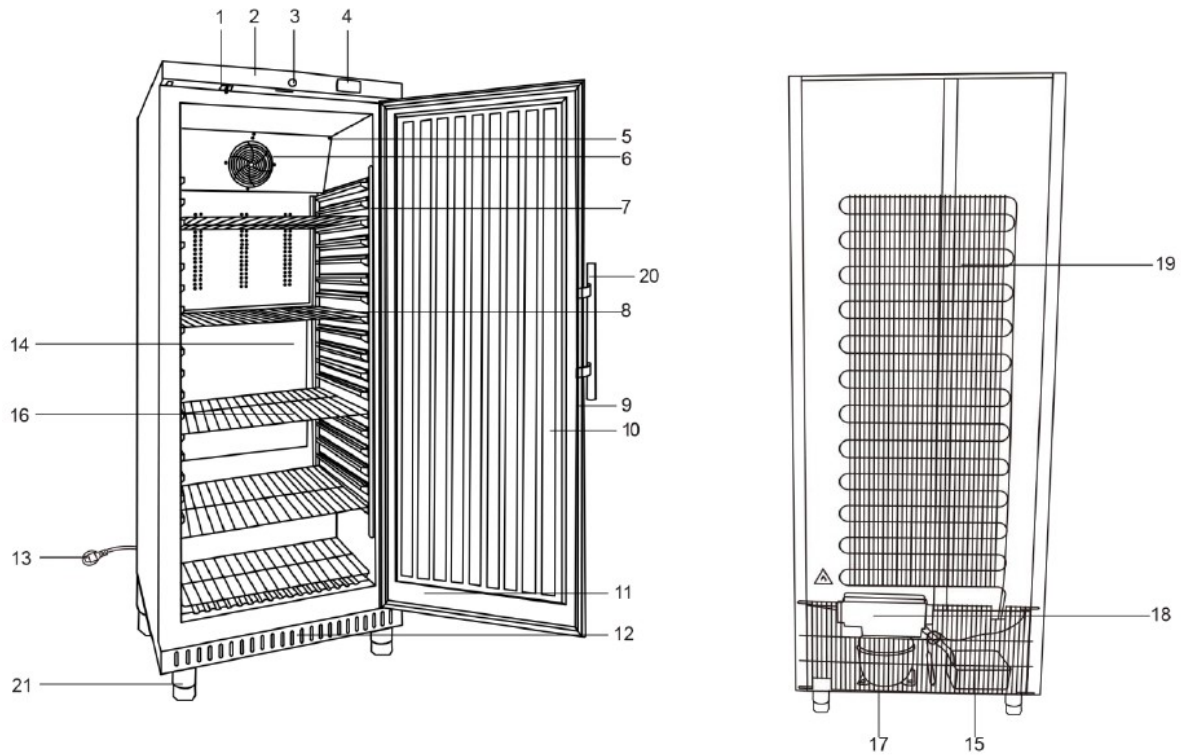
Vriezer



1. Voorpaneel
2. Slot
3. Regelaar
4. Voetjes
5. Plank
6. Pakking
7. Licht
8. Deur
9. Stekker
10. Onder paneel
11. Deurscharnier
12. Compressor
13. Condensor
14. Condensor ventilator motor
15. Hendel

ONDERDELEN

Koelkast



1. Deurschakelaar voor licht
2. Voorpaneel
3. Slot
4. Regelaar
5. Ventilatorpaneel
6. Ventilator
7. Licht
8. Plank
9. Pakking
10. Deur
11. Deurscharnier
12. Onder paneel
13. Stekker
14. Verdampers
15. Watertank
16. Uitlaat
17. Compressor
18. Condensor ventilator
19. Condensator
20. Hendel
21. Poten

GEBRUIK

Voedsel bewaren

Volg de onderstaande instructies om de beste resultaten van uw apparaat te krijgen:

- Bewaar alleen levensmiddelen in het apparaat wanneer de juiste gebruikstemperatuur is bereikt.
- Leg geen onbedekt warm voedsel of vloeistoffen in het apparaat.
- Verpak of bedek het voedsel waar mogelijk.
- Blokkeer de ventilator niet in het apparaat.
- Vermijd het openen van de deuren voor langere tijd.
- Het eten moet in de houder geplaatst worden voordat het in de kast of op de plank wordt geplaatst. Voedsel mag niet direct in de kast worden geplaatst.

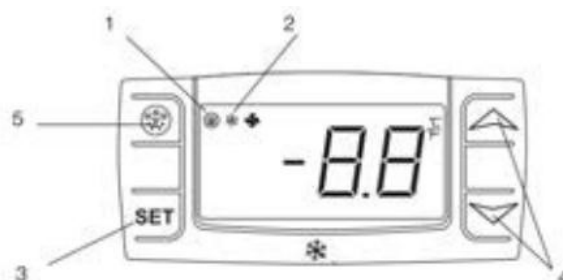
Aanzetten

- Sluit de deur van het apparaat.
- Zorg dat de aan/uit-schakelaar op [O] staat en sluit dan op het stopcontact aan.
- Schakel de stroom in [I] aan. De huidige temperatuur binnen het apparaat wordt weergegeven.
- Het bedieningspaneel knippert om een vertraging aan te geven op het starten van de compressor.

Temperatuurinstelling en -regeling

Het voorpaneel van de thermostaat display:

1. Ontdooi indicator
2. Compressor bedieningsindicator
3. **SET** knop
4. Temperatuurmodificatie knoppen
5. Ontdooien knop



Hoe het instelpunt zien

- Druk op de **SET**-toets en laat onmiddellijk los. Het instelpunt wordt getoond.
- Druk op de **SET**-toets en laat onmiddellijk los of wacht ongeveer 15s om terug te keren naar de normale visualisatie.

Hoe het instelpunt veranderen

- Houd de **SET** toets langer dan 2 seconden in om de instelpuntwaarde te veranderen;
- De waarde van het instelpunt wordt weergegeven en de "°C" begint te knipperen;
- Om de ingestelde waarde te veranderen, drukt u binnen de 15s op de "" (omhoog) of "" (omlaag) pijlen.
- Om de nieuwe setpointwaarde te onthouden, drukt u opnieuw op de SET toets of wacht 15s.

Automatisch ontdooien

Het apparaat voert automatisch ontdooicycli uit.

Opmerking: De cyclus begint vanaf het moment dat het apparaat in gebruik wordt genomen.

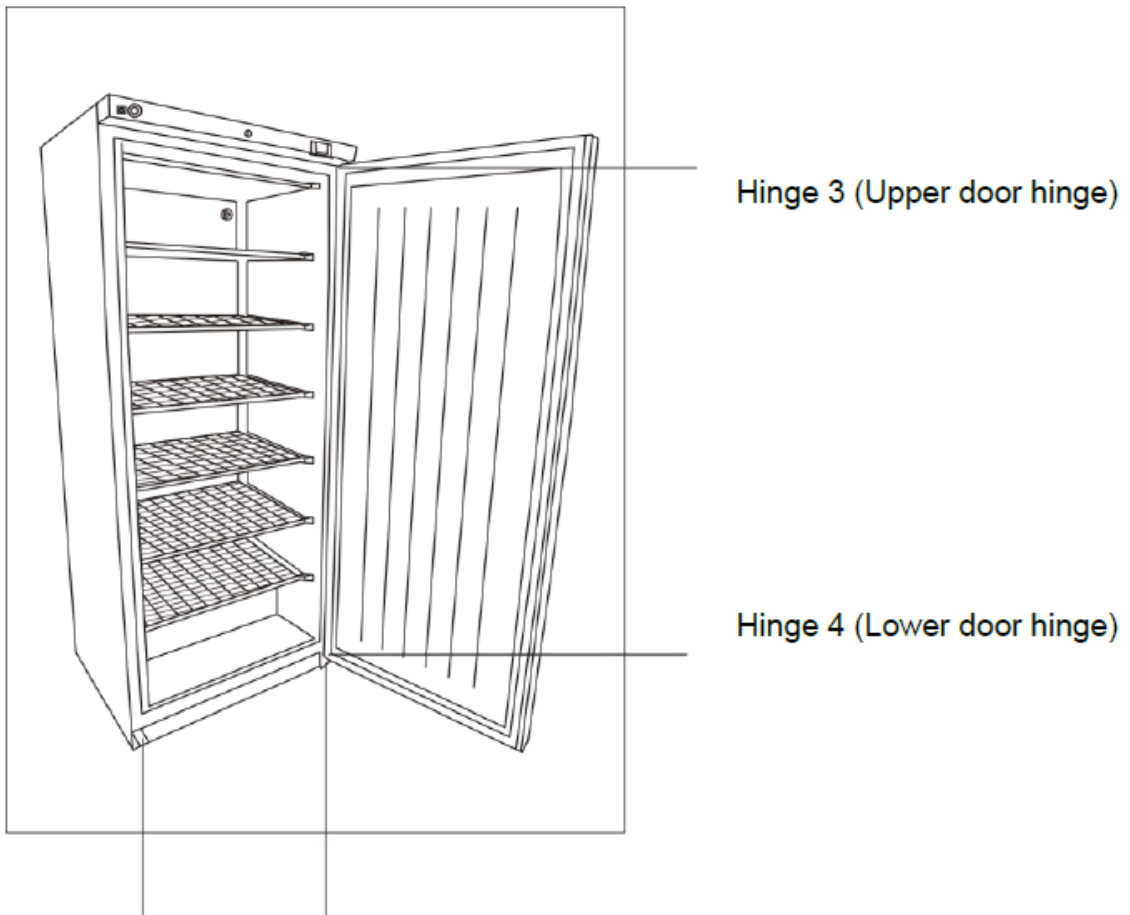
Handmatig ontdooien

- Houd de **ONTDOOI**-toets gedurende 5 seconden ingedrukt.
 - De ontdooiingscyclus begint meteen en het ontdooi LED licht brandt.
- Opmerking:** bij het handmatig ontdooien wordt de automatische ontdooi-timer opnieuw ingesteld.

Deurscharnier veranderen

De deur kan worden veranderd van rechts scharnier naar links scharnier, of omgekeerd. Doe hiervoor als volgt:

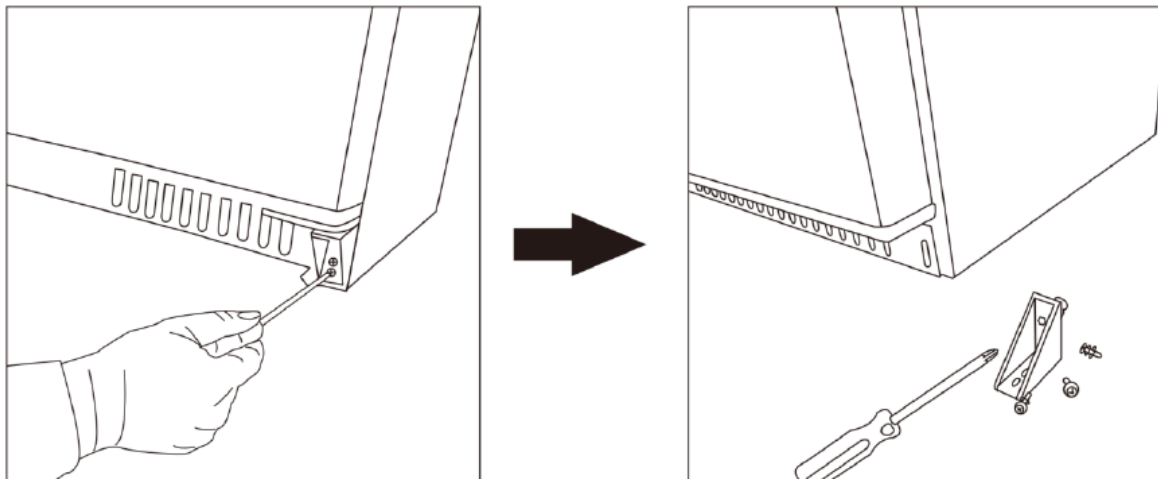
1. Schakel de stroom uit en haal de stekker uit het stopcontact.



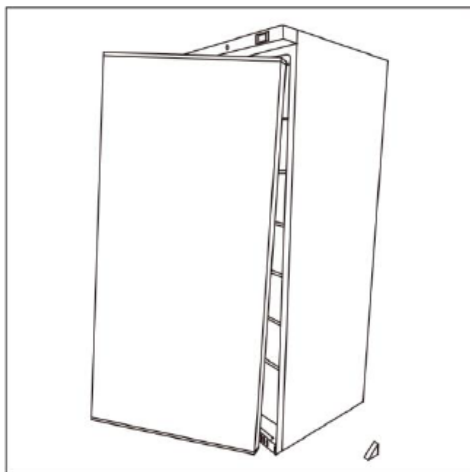
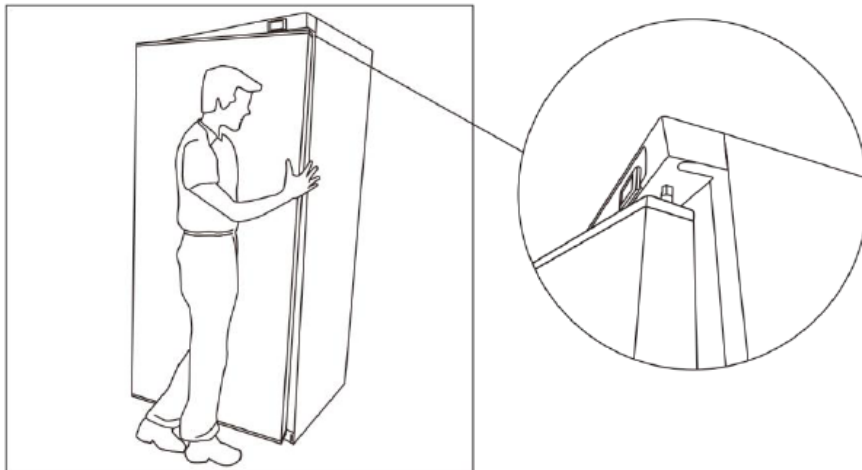
Hinge 1*(see remark) Hinge 2

Opmerking: het heeft een kleine rol die helpt om de deur naar beneden te glijden wanneer u sluit en functioneert als deursteun.

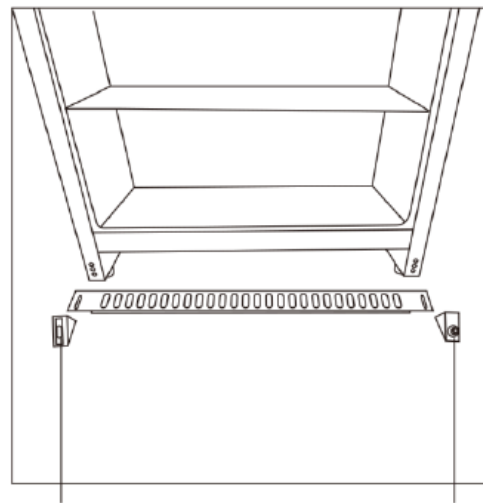
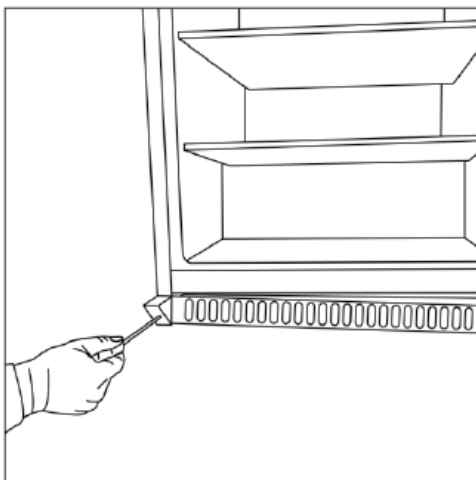
2. Verwijder scharnier 2



3. Haal de deur eraf



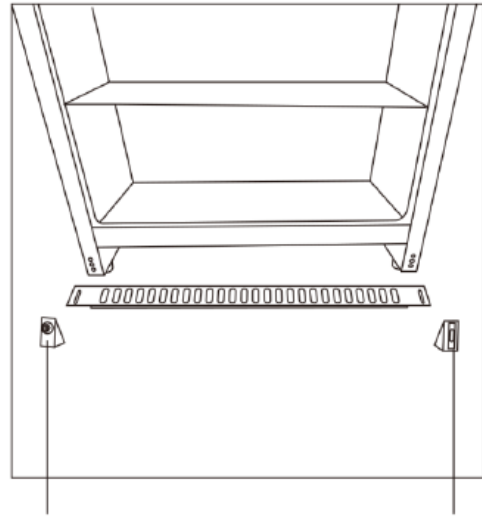
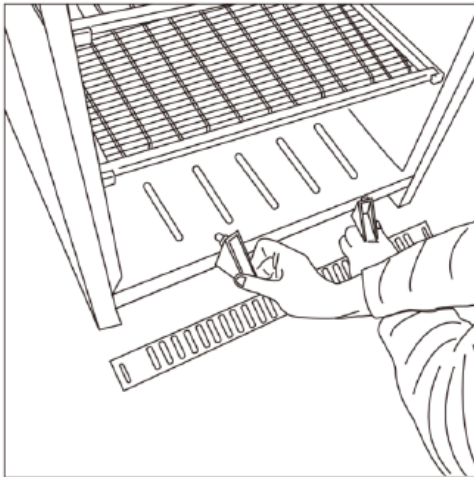
4. Verwijder scharnier 1



Hinge 1

Hinge 2

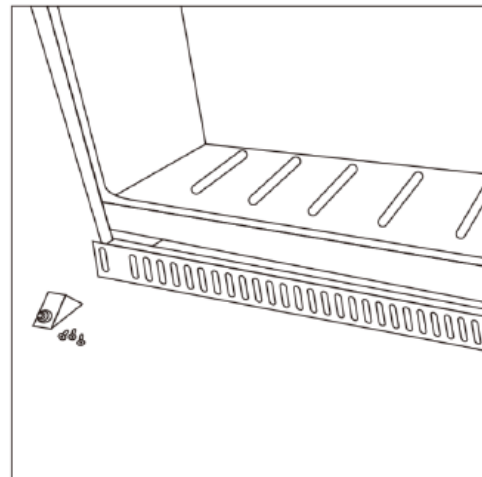
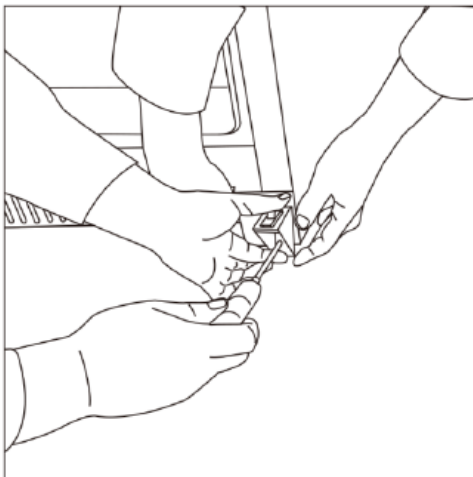
5. Verander de twee scharnier posities



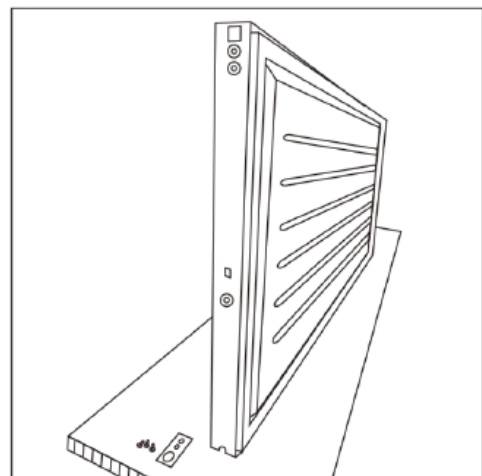
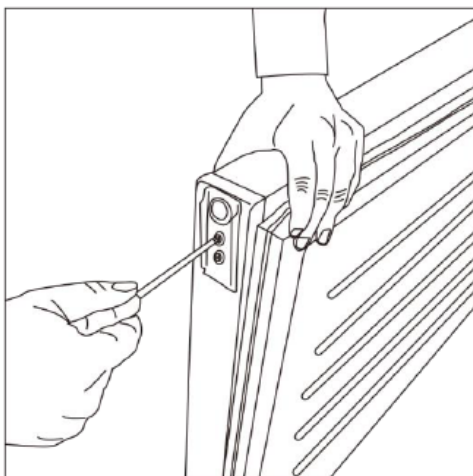
Hinge 2

Hinge 1

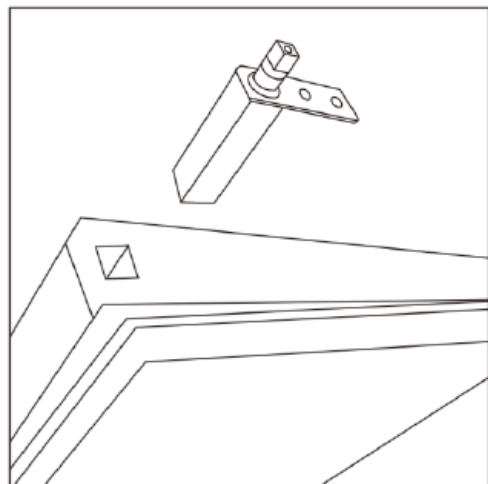
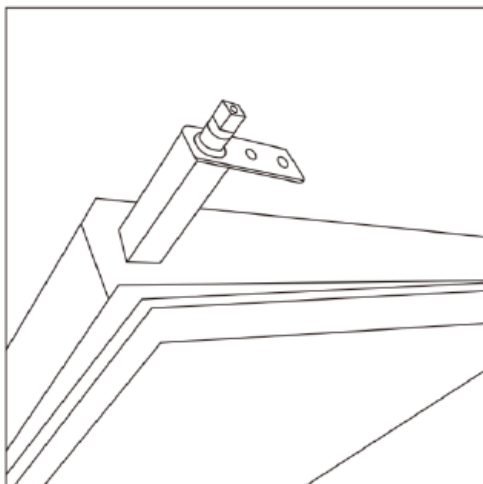
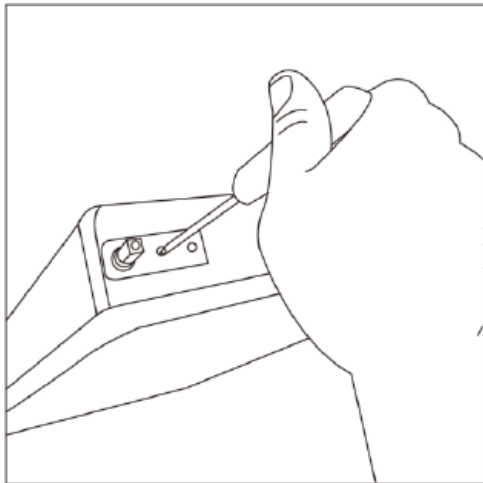
6. Zet scharnier 1 vast



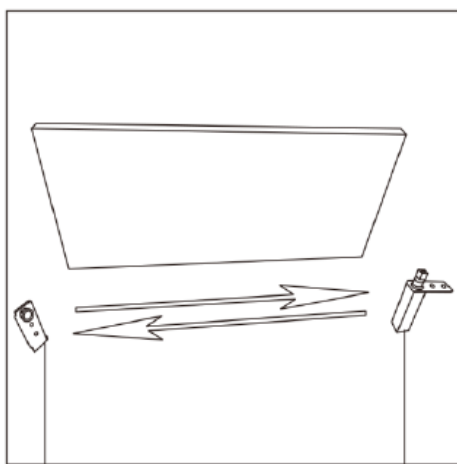
7. Verwijder scharnier 4 (laag deurscharnier)



8. Verwijder scharnier 3 (boven deurscharnier)

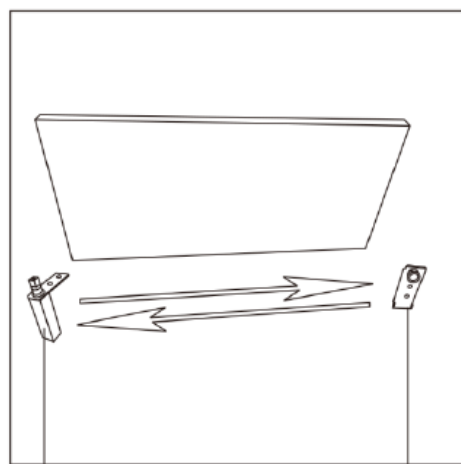


9. Wissel posities van scharnier 3 en 4



Hinge 4

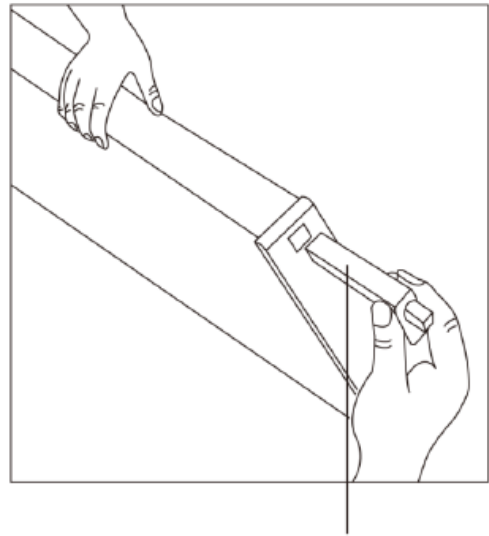
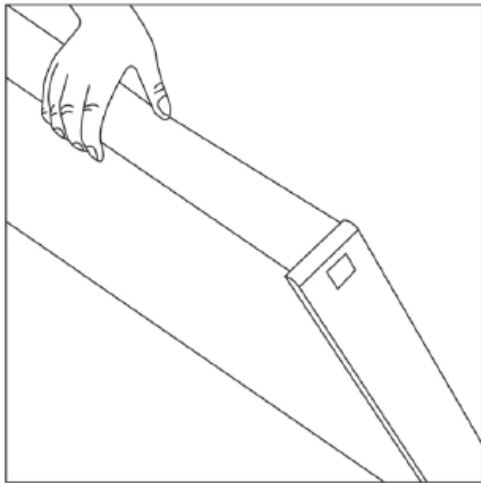
Hinge 3



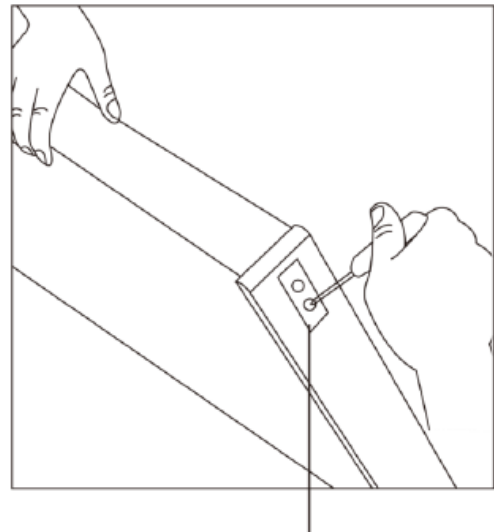
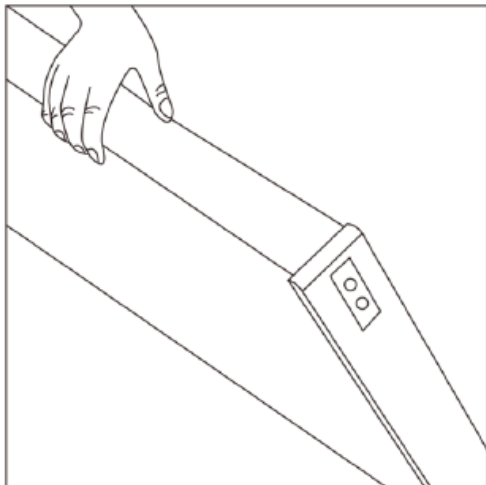
Hinge 3

Hinge 4

10. Zet scharnier 3 en 4 vast op de deur

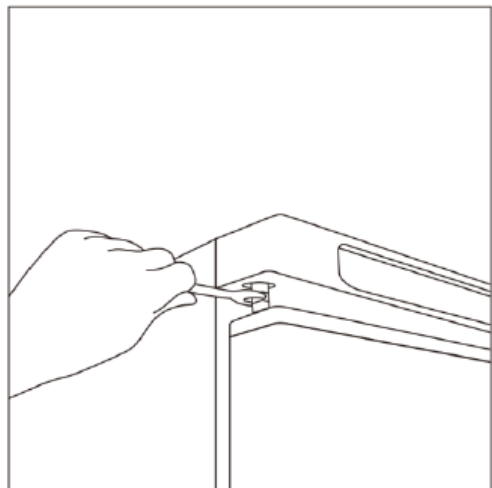
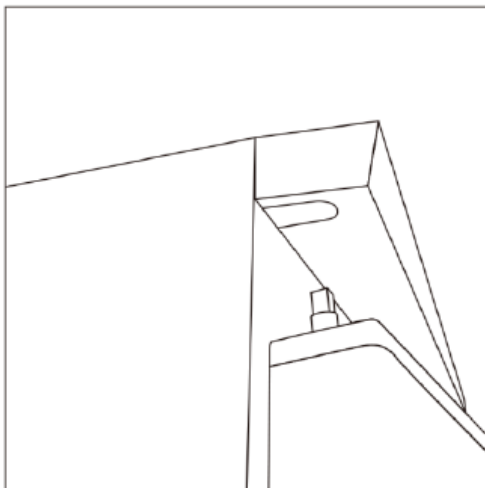


Hinge 3

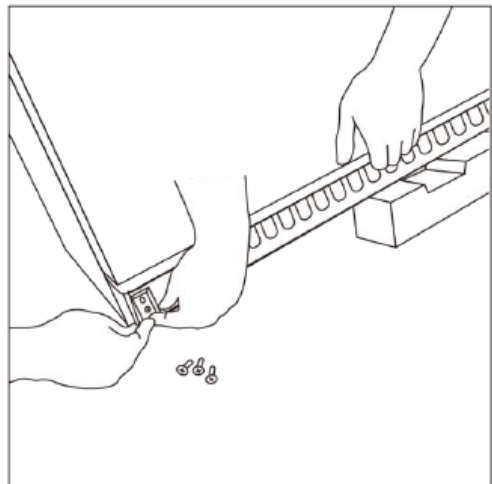
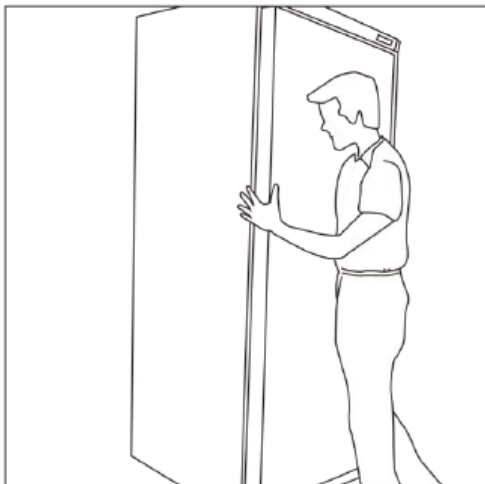


Hinge 4

11. Draai de deur ondersteboven en zet nu het bovenste scharnier vast



12. Zet scharnier 2 vast



SCHOONMAAK, ZORG EN ONDERHOUD

Gepland onderhoud

Schakel uit en haal van stroomtoevoer voor het reinigen.

1. Maak de behuizing en het interieur van het apparaat zo vaak mogelijk schoon.
2. Reinig het toestel met een vochtige doek. Laat de schakelaar, het bedieningspaneel, de kabel of de stekker nooit nat worden.
3. Gebruik geen schurende reinigingsmiddelen. Deze kunnen schadelijke residuen achterlaten. Gebruik alleen mild zeepwater.
4. Reinig de deurdichting alleen met water.
5. Zorg dat er geen schoonmaakwater in de elektrische componenten dringt.
6. Niet met een waterstraal reinigen.
7. Droog altijd na het schoonmaken met een zachte doek.
8. Laat het water dat bij het reinigen wordt gebruikt niet door het afvoergat in de verdampingsbak.
9. Wees voorzichtig als u de achterkant van het apparaat schoonmaakt.
10. Een agent of technicus moet reparaties uitvoeren indien nodig.
11. Als het toestel langdurig inactief wordt gelaten, trekt u de stekker uit het stopcontact nadat u de schakelaar naar OFF heeft gezet, leeg het koelcompartiment en reinig grondig.

Speciaal onderhoud

De instructies in de volgende paragraaf kunnen door gekwalificeerde technici worden gevolgd

- Reinig de condensor periodiek met behulp van geschikte gereedschappen (stofzuiger of zachte borstels) om de levensduur van het apparaat te verlengen.
- Controleer of de elektrische aansluitingen niet los zijn.
- Controleer of de thermostaat en de sensor goed werken.

PROBLEMEN OPLOSSEN

Storing	Mogelijke fout	Probleemoplossende handeling
Het apparaat werkt niet	Het apparaat is niet ingeschakeld	Controleer of het apparaat goed is aangesloten en ingeschakeld
	Plug en lood zijn beschadigd	Bel uw agent of gekwalificeerde technicus
	Zekering in de stekker is geblazen	Vervang de zekering
	Stroomvoorziening	Controleer de voeding
Het apparaat gaat aan, maar de temperatuur is te hoog/laag	Te veel ijs op de verdamper	Ontdooi het apparaat
	Condensor geblokkeerd met stof	Bel uw agent of gekwalificeerde technicus
	Deuren zijn niet goed gesloten	Controleer de deuren zijn dicht en de afdichtingen zijn niet beschadigd
	Het toestel bevindt zich in de buurt van een warmtebron of luchtstroom totdat de condensor wordt onderbroken	Verplaats de koelkast naar een meer geschikte plaats
	Omgevingstemperatuur is te hoog	Verhoog de ventilatie of verplaats het toestel naar een koelere positie
	Ongeschikte levensmiddelen worden in het apparaat opgeslagen	Verwijder eventuele overmatige hete levensmiddelen of verstoppingen aan de ventilator
Het apparaat is overbelast	Verminder de hoeveelheid voedsel die in het apparaat is opgeslagen	

Het apparaat lekt water	Het apparaat is niet goed geïnstalleerd	Stel de schroefvoetjes bij om het apparaat te nivelleren (indien van toepassing)
	De afvoer buiten is geblokkeerd	Maak de afvoer leeg
	Beweging van water naar de afvoer is belemmerd	Maak de vloer van het apparaat leeg (indien van toepassing)
	De watertank is beschadigd	Bel uw agent of gekwalificeerde technicus
	De druppelbak is overstroomd	Maak de druppelbak leeg (indien van toepassing)
Het apparaat is buitengewoon luid	Losse moer/schroef	Controleer en draai alle moeren en schroeven aan
	Het apparaat is niet in een stabiele of vlakke positie geïnstalleerd	Controleer de installatiepositie en verander indien nodig

VERWIJDERING

Als het apparaat niet meer gebruikt en u wilt weggooien, verwijder de deuren om te voorkomen dat een klein kind binnenin wordt gevangen. Doe dan op een milieuvriendelijke manier.

Neem contact op met een gekwalificeerde servicetechnicus:

1. Om alle Freon/koelmiddelen te recupereren
2. Om de compressor of olie uit de compressor te verwijderen
3. Om ontvlambare isolatieblaasgassen te verwijderen

Dan kan de distributeur/verkoper contact opnemen met hun lokale metalen recyclingcentrum om de overblijvende kast, planken, enz. op te halen.

Er kunnen speciale eisen of voorwaarden zijn. U kunt informatie verkrijgen over het verwijderen van koelapparatuur van:

- Uw leverancier
- Overheidsinstanties (de gemeenteraad, ministerie van milieu, enz.)

Volgens de wet kan de verwijdering van gevaarlijke afvalstoffen gepaard gaan met boetes en gevangenisstraf overeenkomstig de bepalingen van de milieuwetgeving.

1. Het koelmiddel van deze eenheid is een koolwaterstof koelmiddel en valt onder het Kyoto-protocol.
2. Het uitstoten van het koelmiddel naar de atmosfeer zal het milieu schaden door bij te dragen aan de opwarming van de aarde. De Global Warming Potential (GWP) van R600a / R290 is 3.

Weggoien



Weggooid elektrische apparaten zijn recyclebaar en mogen niet in het huishoudelijk afval worden weggegooid! Ondersteun ons actief in het behoud van natuurlijke bronnen en om het milieu te beschermen door dit apparaat terug te sturen naar de verzamelcentra (indien beschikbaar).



Gooi de verpakking weg overeenkomstig de geldende wettelijke voorschriften.

TECHNISCHE GEGEVENS

Model	Frigo	Vriezer
Klimaatklasse	<p>Raadpleeg de informatie die op het product is aangegeven. U vindt de informatie op het typeplaatje op de achterkant van het apparaat, evenals in het koelcompartiment.</p> <p>Het schakelschema wordt zowel op de achterkant van het apparaat als in het koelcompartiment weergegeven.</p>	
Koelmiddelgas		
Koelmiddellading		
Temperatuurbereik (° C)		
Inkomende stroom		
Gemeten frequentie		
Nominale spanning		
Intern volume		
Nettogewicht		
Brutogewicht		
Schuimmiddel		
Afmetingen (mm)		



CAUTION: RISK OF FIRE AND EXPLOSION WITH FLAMMABLE REFRIGERANT R600a/ R290.



GARANTIE

Voor dit product geldt een wettelijke garantie.

Schade veroorzaakt door verkeerde behandeling of operatie, door onjuiste plaatsing of opslag, onjuiste aansluiting of installatie, evenals kracht of andere externe invloeden, vallen niet onder deze garantie. We raden u aan om de gebruiksaanwijzing zorgvuldig door te lezen, aangezien deze belangrijke informatie bevat.

Opmerking:

3. Als dit product niet goed werkt, controleer eerst of er andere redenen zijn, b.v. voor elektrische apparaten storing van stroomaanvoer, of algemene onjuiste hantering zijn de oorzaak.
4. Houd er rekening mee dat, indien mogelijk, de volgende documenten of meer informatie samen met uw defecte product moeten worden verstrekt:
 - Aankoop bon
 - Modelbeschrijving/Type/Merk
 - Beschrijf de fout en het probleem zo gedetailleerd mogelijk

In geval van een aanspraak op garantie of gebreken kunt u contact opnemen met de verkoper.

GWL 8/14 EN

SICHERHEITSHINWEISE

1. s wurde vom Hersteller ausdrücklich genehmigt).
2. Beschädigen Sie NIEMALS den Kältekreislauf des Gerätes.
3. Stellen Sie sich NICHT auf das Gerät, die Regale oder die Türen des Gerätes und halten Sie sich NICHT daran fest.
4. Achten Sie darauf, dass Kunststoffkomponenten oder die Türdichtungen NICHT mit Öl oder Fett in Kontakt kommt. Sollte dies dennoch passieren, reinigen Sie die Dichtung umgehend.
5. Dieses Gerät kann von Kindern über 8 Jahren sowie von Personen mit verringerten physischen, sensorischen oder mentalen Fähigkeiten oder Mangel an Erfahrung und Wissen benutzt werden, wenn sie beaufsichtigt oder bezüglich des sicheren Gebrauchs des Gerätes unterwiesen wurden und die daraus resultierenden Gefahren verstehen.
6. Lassen Sie Kindern nicht mit dem Gerät spielen.
7. Reinigung und Wartung dürfen nicht von Kindern ausgeführt werden, die unbeaufsichtigt sind.
8. Platzieren Sie NIEMALS brennbare, explosive oder leicht verdampfbare Gegenstände, Ätzmittel, Alkali oder andere Flüssigkeiten in das Gerät.
9. Lagern Sie in diesem Gerät unter keinen Umständen medizinische Substanzen.
10. Reinigen Sie das Gerät NIEMALS mit einem Hochdruckreiniger.
11. Kinder dürfen nicht mit dem Verpackungsmaterial spielen. Entsorgen Sie Plastikbeutel vorschriftsgemäß.
12. Flaschen mit hochprozentigem Alkohol müssen verschlossen sein und aufrecht in das Gerät gestellt werden.
13. Tragen, lagern und betreiben Sie das Gerät immer in aufrechter Position. Fassen Sie das Gerät immer am Sockel an, wenn sie es bewegen wollen.
14. Bevor Sie das Gerät reinigen, müssen Sie das Gerät immer ausschalten und den Netzstecker ziehen.
15. Wenn das Stromkabel dieses Gerätes beschädigt wird, muss sie durch den Hersteller, seinen Kundendienst oder eine ähnlich qualifizierte Person ersetzt werden, um Gefahren zu vermeiden.
16. Dieses Gerät darf nicht von Personen mit eingeschränkten physischen, sensorischen oder mentalen Fähigkeiten, Personen mit fehlender.
17. Erfahrung und Wissen sowie nicht von Minderjährigen betrieben werden, es sei denn diese stehen unter Aufsicht oder erhalten Anweisungen von einer für deren Sicherheit verantwortlichen Person.
18. Kinder müssen beaufsichtigt werden, um sicherzustellen, dass sie nicht mit dem Gerät spielen.
19. Das Gerät ist nur für den Innengebrauch konzipiert. Nicht geeignet zur Installation in einem Bereich, in dem ein Hochdruckreiniger verwendet werden könnte.
20. Um einen sicheren Betrieb des Gerätes zu gewährleisten, muss dieses wie in dieser Anleitung beschrieben aufgestellt und angeschlossen werden.
21. Reparaturen und Wartungsarbeiten dürfen ausschließlich vom Kundendienst/ qualifizierten Technikern ausgeführt werden.
22. Der Schlüssel zum Schaltschrank muss außerhalb der Reichweite von Kindern und Benutzern aufbewahrt werden.
23. In diesem Gerät keine explosionsfähigen Stoffe, wie zum Beispiel Aerosolbehälter mit brennbarem Treibgas, lagern.
24. Wenn das Stromkabel dieses Gerätes beschädigt wird, muss sie durch den Hersteller, seinen Kundendienst oder eine ähnlich qualifizierte Person ersetzt werden, um Gefahren zu vermeiden.
25. Dieses Gerät darf nicht von Personen mit eingeschränkten physischen, sensorischen oder mentalen Fähigkeiten, Personen mit fehlender Erfahrung und Wissen sowie nicht von Minderjährigen betrieben werden, es sei denn diese stehen unter Aufsicht oder erhalten Anweisungen von einer für deren Sicherheit verantwortlichen Person.
26. Kinder müssen beaufsichtigt werden, um sicherzustellen, dass sie nicht mit dem Gerät spielen.
27. Das Gerät ist nur für den Innengebrauch konzipiert. Nicht geeignet zur Installation in einem Bereich, in dem ein Hochdruckreiniger verwendet werden könnte.
28. Um einen sicheren Betrieb des Gerätes zu gewährleisten, muss dieses wie in dieser Anleitung beschrieben aufgestellt und angeschlossen werden.
29. Reparaturen und Wartungsarbeiten dürfen ausschließlich vom Kundendienst/ qualifizierten Technikern ausgeführt werden.
30. Der Schlüssel zum Schaltschrank muss außerhalb der Reichweite von Kindern und Benutzern aufbewahrt werden.
31. In diesem Gerät keine explosionsfähigen Stoffe, wie zum Beispiel Aerosolbehälter mit brennbarem Treibgas, lagern.

BESTIMMUNGSGEMÄßER GEBRAUCH

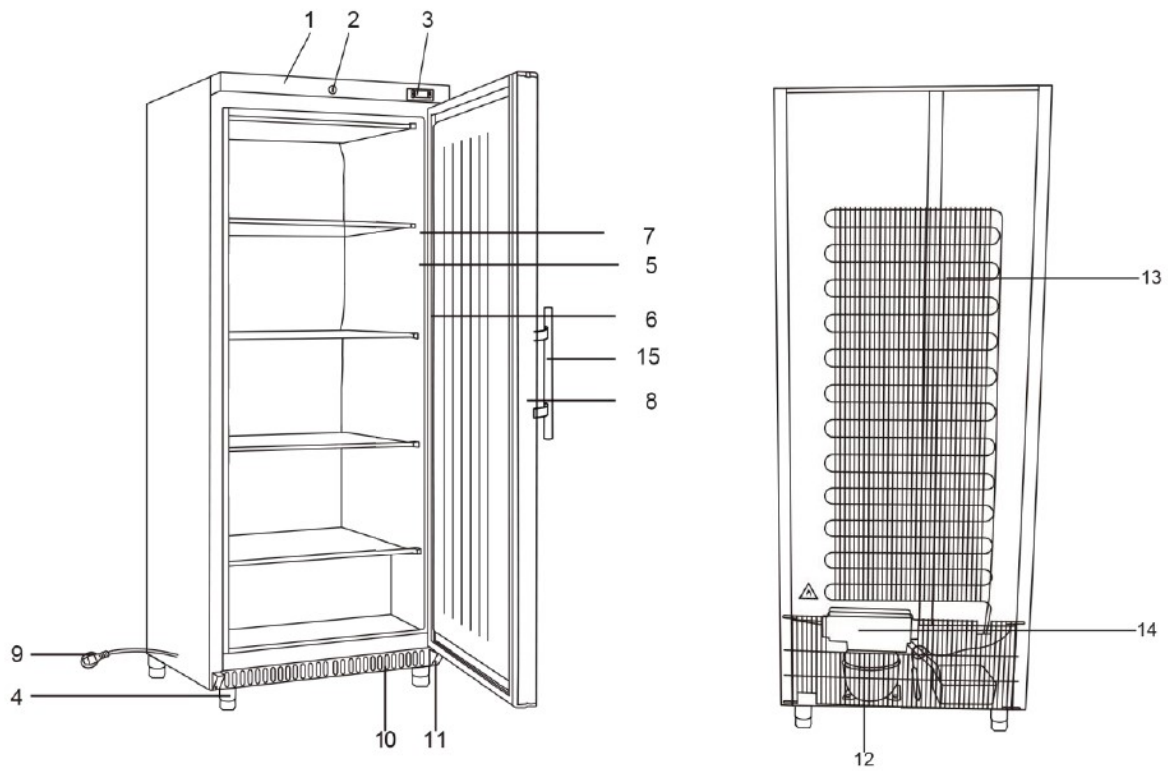
Dieses Gerät ist ausschließlich für das Kühlen und Lagern von Lebensmitteln und Getränken im Gewerbe konzipiert.

PLATZIERUNG UND INSTALLATION

- Packen Sie das Gerät aus. Achten Sie darauf, dass Kunststoffschutzfolien und Schutzschichten vollständig von allen Oberflächen entfernt werden. Um Verletzungen zu vermeiden und Beschädigungen des Gerätes vorzubeugen, wird empfohlen, dass das Gerät von zwei Personen ausgepackt und installiert.
- Achten Sie darauf, dass das Gerät mit einem Sicherheitsabstand von 20 cm (7 Zoll) von einer Wand oder von anderen Gegenständen entfernt aufgestellt wird, um ausreichende Luftzirkulation zu gewährleisten. Vergrößern Sie den Sicherheitsabstand, falls der angrenzende Gegenstand eine Wärmequelle ist.
- Das Gerät muss auf einem festen, ebenen Untergrund platziert werden, um Geräuschpegel und Vibrationen zu verringern. Justieren Sie die Schraubfüße um Unebenheiten auszubalancieren
- Die Temperatur am Aufstellort sollte zwischen 10°C und 32°C liegen (Klimaklasse: 4).
- Das Gerät darf nicht direkter Sonneneinstrahlung ausgesetzt sein. In direkter Nähe sollten sich keine Wärmequellen wie Öfen oder Heizgeräte befinden.
- Achten Sie darauf, dass die Belüftung des Gerätes sichergestellt ist.
- Stromzufuhr und Spannungsversorgung müssen mit den Angaben auf dem Typenschild des Gerätes übereinstimmen. Der Netzstecker muss nach der Installation frei zugänglich sein.
- Stecken Sie den Netzstecker ordnungsgemäß ein und aus. Der Netzstecker muss fest in die Steckdose gesteckt werden. Ziehen Sie den Netzstecker stets durch Ziehen am Steckergehäuse aus. Ziehen Sie den Stecker niemals am Kabel heraus.
- Wenn das Gerät über einen längeren Zeitraum nicht benutzt wird, schalten Sie es aus und ziehen Sie den Netzstecker. Reinigen Sie das Gerät und öffnen Sie Türen und Deckel zur Vermeidung von Geruchsbildung.
- **WICHTIG! Achten Sie zu Ihrer Sicherheit darauf, dass das Gerät ordnungsgemäß geerdet ist!** Das Kabel dieses Gerätes besitzt eine Erdungsleitung sowie einen Schukostecker. Stecken Sie den Netzstecker in eine ordnungsgemäß geerdete und installierte Steckdose. Ziehen Sie einen qualifizierten Elektriker oder Kundendienst zu Rate, falls bei den Erdungsanweisungen Unklarheiten bestehen. Sollten Zweifel zur ordnungsgemäßen Erdung des Gerätes bestehen, lassen Sie den Stromkreislauf von einem qualifizierten Elektriker prüfen, um sicherzustellen, dass die Steckdose ordnungsgemäß geerdet ist.
- Sollte das Netzkabel nicht bis zur nächstgelegenen Steckdose reichen, verändern Sie entweder den Aufstellort oder lassen Sie von einem Elektriker eine Steckdose in der Nähe des Gerätes installieren.
- Warten Sie bei einem Stromausfall mindestens 3 Minuten, bevor Sie das Gerät wieder einschalten, um eine Beschädigung des Kompressors zu vermeiden.
- Stellen Sie keine wärmeabgebenden Geräte, z.B. Mikrowellengerät, Toaster usw. auf das Gerät.
- Schieben Sie die Regalplatten / Schubladen ein.
- **Hinweis:** Sollte das Gerät nicht in aufrechter Position gelagert oder transportiert worden sein, lassen Sie es vor der Inbetriebnahme ca. 12 Stunden aufrecht stehen.
- **Hinweis:** Reinigen Sie die Einlegeplatten und das Innere des Gerätes vor der ersten Inbetriebnahme mit Seifenwasser.

BEDIENELEMENTE

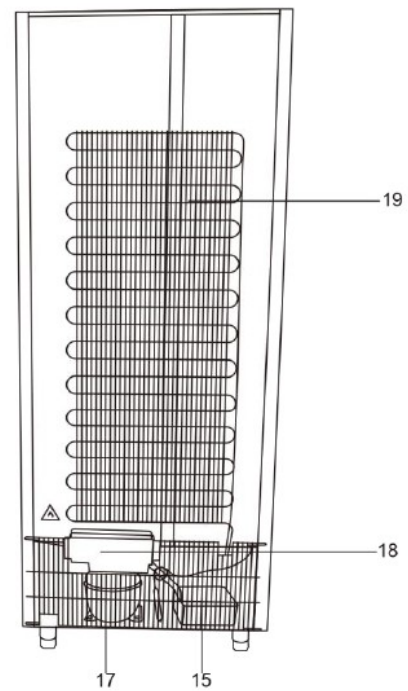
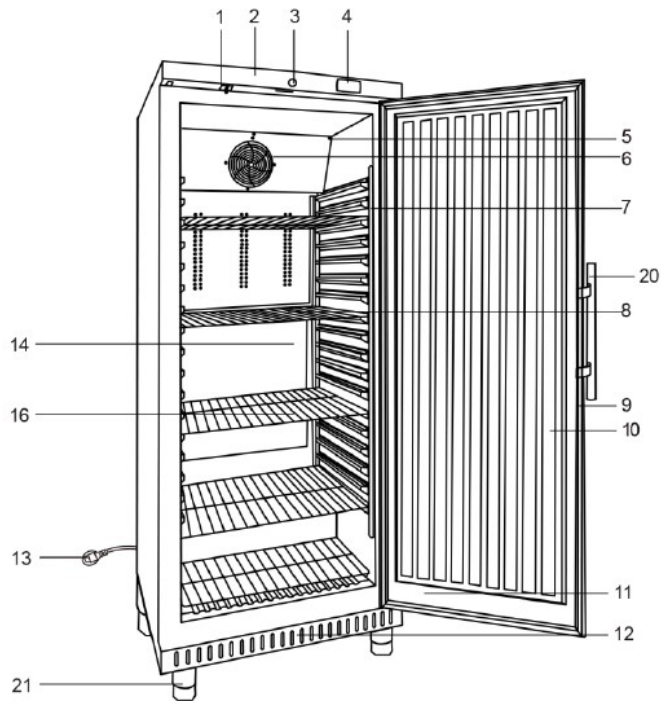
Tiefkühlschrank



1. Frontblende
2. Schloss
3. Temperaturregler
4. Höhenverstellbare Schraubfüße
5. Verdampfer Regal
6. Türdichtung
7. Beleuchtung
8. Tür
9. Stromkabel/ Stromstecker
10. Untere Frontblende
11. Unteres Türscharnier
12. Kompressor
13. Kondensator
14. Kondensatorventilator
15. Türgriff

BEDIENELEMENTE

Kühlschrank



1. Türschalter für Licht
2. Frontblende
3. Schloss
4. Temperaturregler
5. Ventilator
6. Regal schiene
7. Beleuchtung
8. Einschubregal
9. Türdichtung
10. Tür
11. Untere Frontblende
12. Türhalterung
13. Stromkabel/ Stromstecker
14. Wasserauffangbehälter
15. Ablauf
16. Kompressor
17. Kondensatorventilator
18. Kondensator
19. Türgriff
20. Griff
21. Höhenverstellbare Schraubfüße

FUNKTION UND HANDHABUNG

Aufbewahrung von Lebensmitteln

Halten Sie die folgenden Hinweise ein, um ein bestmögliches Ergebnis zu erzielen:

- Füllen Sie das Gerät erst dann mit Lebensmitteln, wenn es die gewünschte Betriebstemperatur erreicht hat.
- Stellen Sie niemals unverschlossene heiße Speisen oder Flüssigkeiten in das Gerät.
- Lebensmittel sollten immer gut verpackt oder abgedeckt sein.
- Die Ventilatoren im Inneren des Gerätes dürfen nicht blockiert sein.
- Vermeiden Sie Türöffnungen über längere Zeiträume.
- Lagern Sie Lebensmittel im Gerät in entsprechenden Behältern. Lebensmittel sollten nicht unverpackt im Gerät gelagert werden.

Das Gerät einschalten

- Schließen Sie die Tür des Gerätes.
- Der Netzschalter muss sich in der Position [O] befinden. Stecken Sie den Netzstecker in eine geeignete Steckdose.
- Schalten Sie den Netzschalter auf die Position [I]. Die gegenwärtige Temperatur im Geräteinneren wird angezeigt.
- Das * auf dem Bedienfeld blinkt, um die Verzögerung des Kompressorstarts anzuzeigen.

Temperatureinstellung und Bedienpanel

Das Bedienpanel des Thermostats:

- 1- Abtauindikator
- 2- Kompressorfunktionsindikator
- 3- SET Taste
- 4- Temperatureinstellungstasten
- 5- Abtautaste



Eingestellte Temperatur ablesen

- Drücken Sie einmal kurz die SET-Taste. Der Sollwert wird angezeigt.
- Drücken Sie die SET-Taste erneut und lassen Sie sie sofort los oder warten Sie für 15 Sekunden damit die normale Betriebsanzeige wieder erscheint.

Eingestellte Temperatur verändern


- Halten Sie die SET-Taste für mehr als zwei Sekunden gedrückt, um einen neuen Wert einzustellen.
- Der Temperaturwert wird angezeigt und das „C“ beginnt zu blinken.
- Um den eingestellten Wert zu ändern, drücken Sie die „^“ (erhöhen) oder „v“ (verringern) Tasten innerhalb von 15 Sekunden.
- Um den neuen Temperaturwert zu speichern, drücken Sie entweder die SET-Taste erneut oder warten Sie 15 Sekunden.

Automatisches Abtauen

- Das Gerät führt automatische Abtauvorgänge durch.

Hinweis: Die Abtau-Zeitschaltung beginnt mit der ersten Inbetriebnahme des Gerätes.

Manuelles Abtauen:

- Drücken und halten Sie die Abtau-Taste  5 Sekunden lang.
- Der Abtauvorgang beginnt umgehend und die Abtauungs-LED leuchtet auf.

Hinweis: Beim manuellen Abtauen wird die Abtau-Zeitschaltung automatisch zurückgesetzt.

Wechseln des Türanschlags

Die Tür kann sowohl rechts- als auch linksöffnend installiert werden.
Bitte gehen Sie beim Wechseln des Türanschlages wie folgt vor:

- 1- Das Gerät am Netzschalter ausschalten und von der Stromversorgung trennen.



Scharnier 3 (obere Türkante)

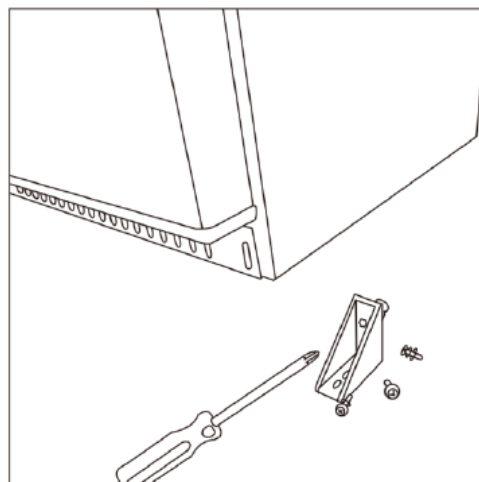
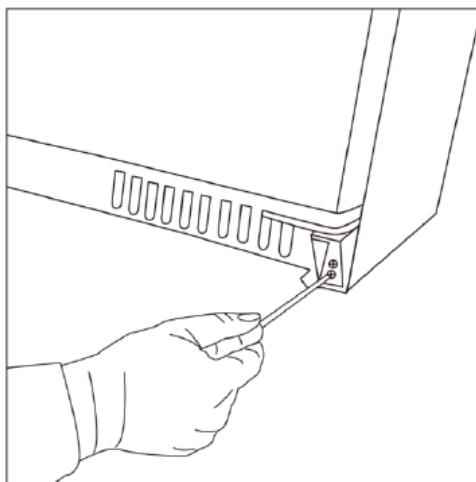
Scharnier 4

Scharnier 1* Scharnier 2

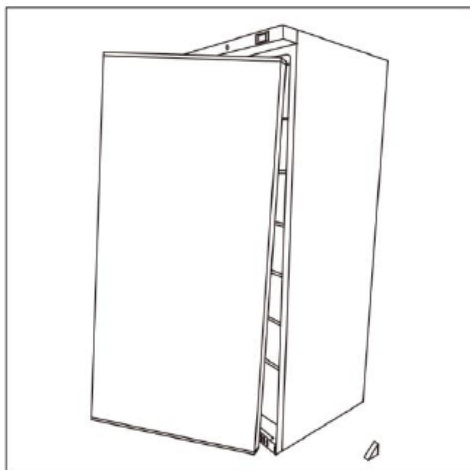
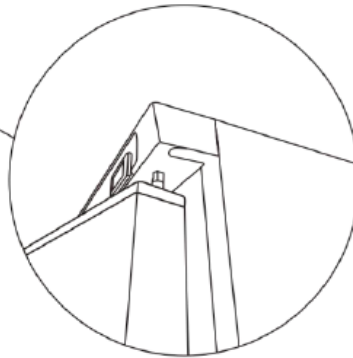
(siehe Anmerkung)

*Anmerkung: Verfügt über eine kleine Rolle, die das Schließen der Tür erleichtert und die als Stütze der Tür fungiert.

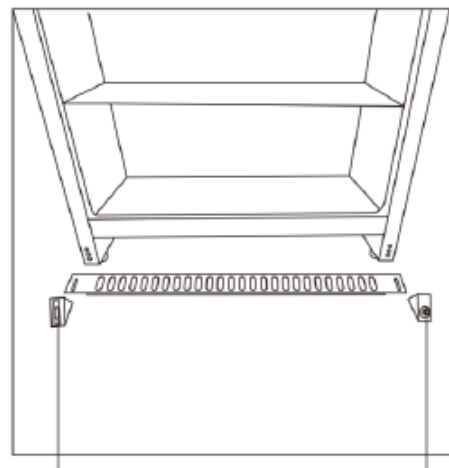
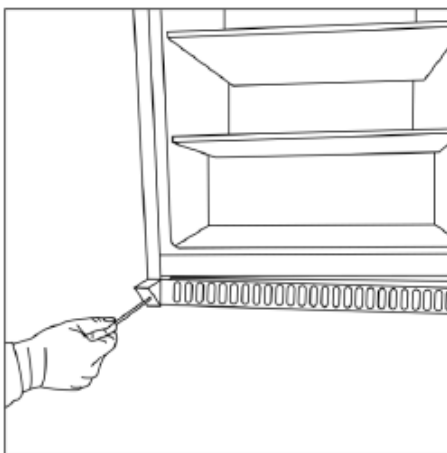
- 2- Scharnier 2 entfernen



3- Die Tür herausnehmen



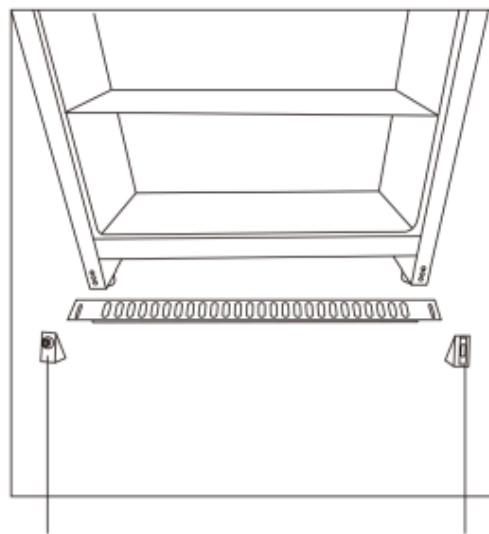
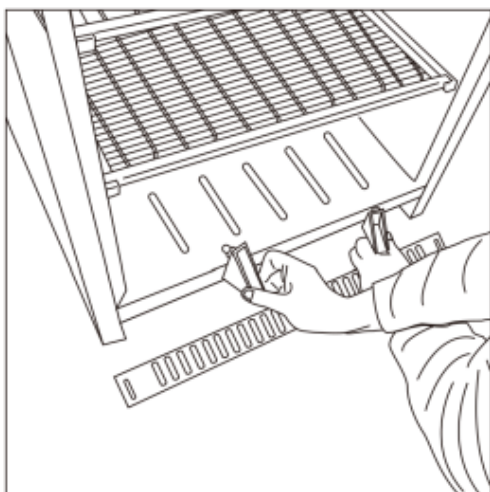
4- Scharnier 1 entfernen



Scharnier 1

Scharnier 2

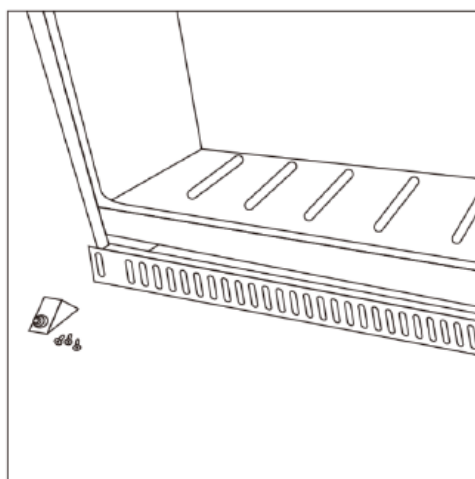
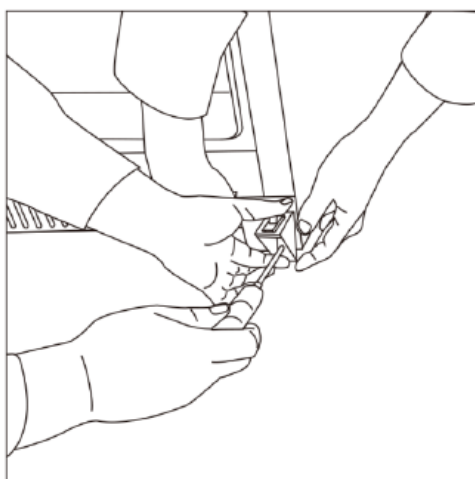
5- Die Position der Scharniere 1 und 2 vertauchen



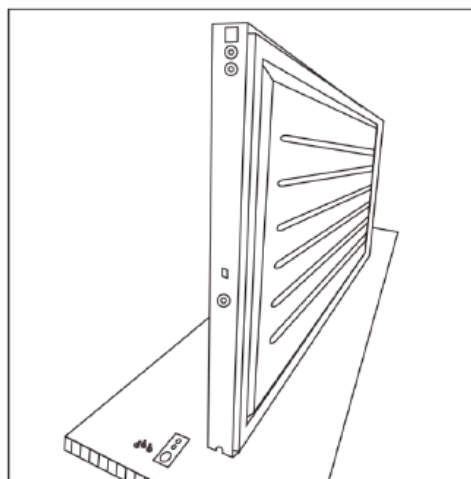
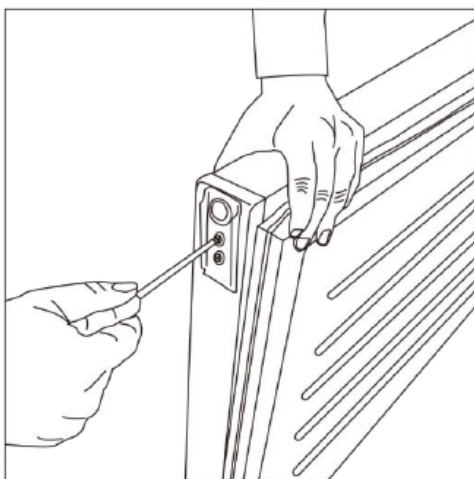
Scharnier 2

Scharnier 1

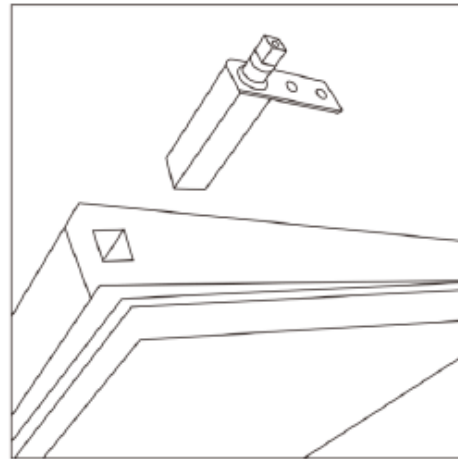
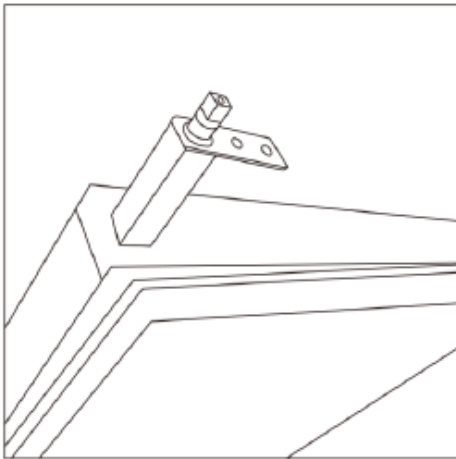
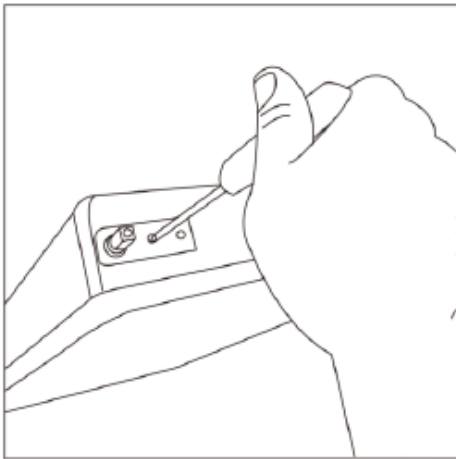
6- Scharnier 1 befestigen



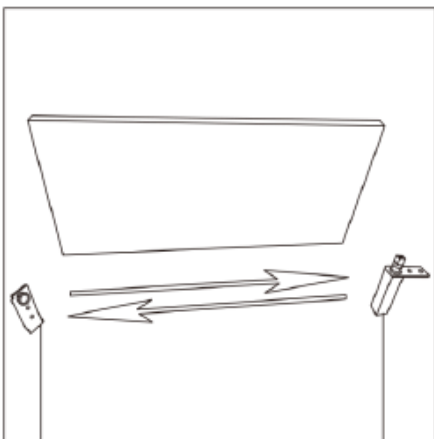
7- Scharnier 4 (untere Türkante) entfernen



8- Scharnier 3 (obere Türkante) entfernen

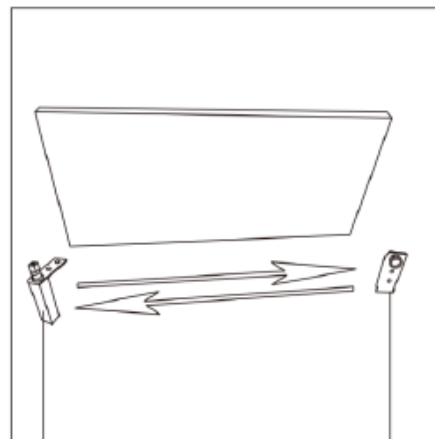


9- Die Position der Scharniere 3 und 4 vertauschen



Scharnier 4

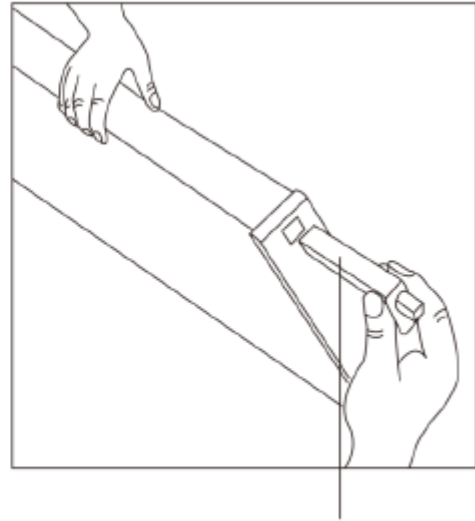
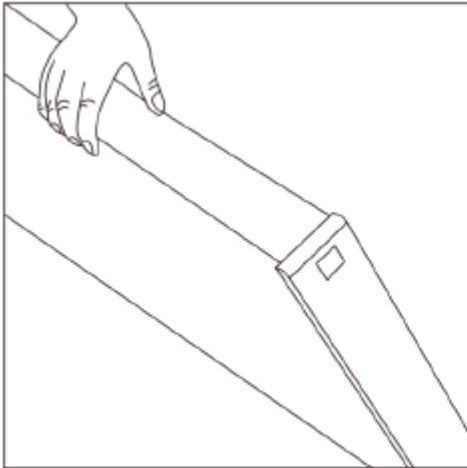
Scharnier 3



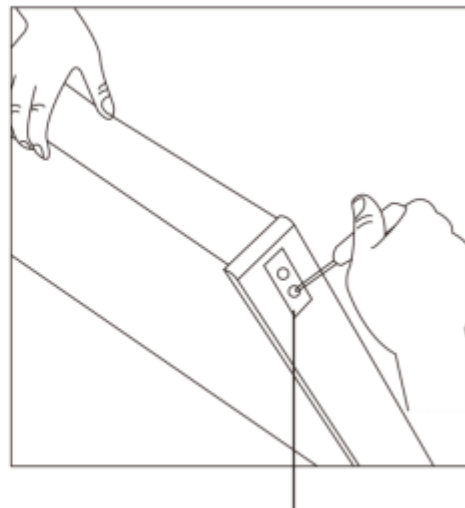
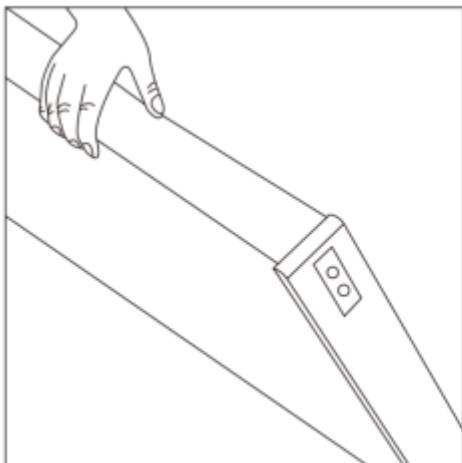
Scharnier 3

Scharnier 4

10- Scharniere 3 und 4 an der Tür befestigen

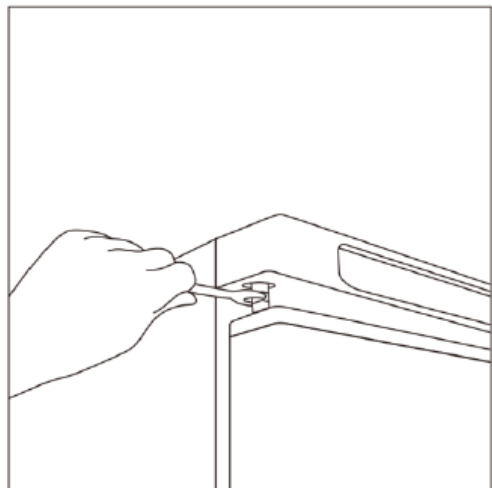
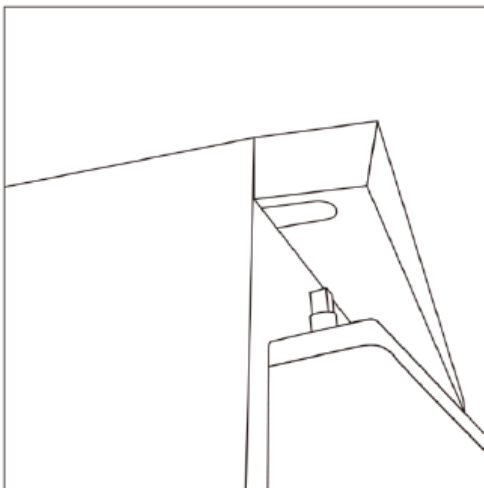


Scharnier 3

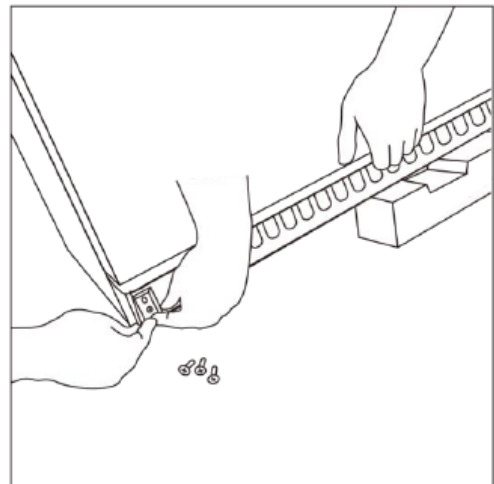


Scharnier 4

11- Die Tür umdrehen und am oberen Scharnier einhängen



12- Scharnier 2 befestigen



REINIGUNG, PFLEGE UND WARTUNG

Routinemäßige Wartung

Schalten Sie das Gerät vor der Reinigung aus und ziehen Sie den Netzstecker.

- Reinigen Sie das Gehäuse und das Innere des Gerätes so oft wie möglich.
- Wischen Sie das Gerät mit einem feuchten Tuch ab. Achten Sie darauf, dass Schalter, Bedienfeld, Kabel und Netzstecker nicht nass werden.
- Verwenden Sie zur Reinigung keine aggressiven Reinigungsmittel. Diese könnten schädliche Rückstände hinterlassen. Verwenden Sie ausschließlich mildes Seifenwasser.
- Reinigen Sie die Türdichtung nur mit Wasser.
- Achten Sie darauf, dass Reinigungswasser niemals in elektrische Gerätekomponenten dringt.
- Reinigen Sie das Gerät niemals mit einem Hochdruckreiniger.
- Wischen Sie das Gerät nach der Reinigung mit einem weichen Lappen trocken.
- Reinigen Sie die Geräterückseite vorsichtig.
- Reparaturen müssen von einem Kundendienst oder einem qualifizierten Fachmann durchgeführt werden.
- Wenn das Gerät über einen längeren Zeitraum nicht verwendet wird, stellen Sie den Netzschalter in die Position AUS und ziehen Sie den Netzstecker. Leeren Sie alle Kühlfächer und reinigen Sie das Gerät gründlich. Lassen Sie die Tür auf um Geruchs- und Schimmelbildung zu vermeiden.

Spezielle Wartung

Die folgenden Anweisungen müssen von qualifizierten Fachleuten durchgeführt werden

- Reinigen Sie den Kondensator regelmäßig mit einem geeigneten Hilfsmittel, (Staubsauger oder weiche Bürste) um die Lebensdauer des Gerätes zu verlängern.
- Elektrische Verbindungen dürfen nicht locker sein.
- Prüfen Sie, dass Thermostat und Sensor ordnungsgemäß funktionieren.

FEHLERBEHEBUNG

Störung	Mögliche Ursache	Fehlerbehebung
Der Gerät funktioniert nicht.	Das Gerät ist nicht eingeschaltet.	Vergewissern Sie sich, dass das Gerät mit dem Stromnetz verbunden und eingeschaltet ist
	Stecker oder Kabel sind beschädigt.	Kontaktieren Sie einen unserer Mitarbeiter oder einen qualifizierten Techniker
	Sicherung im Stecker beschädigt	Kontaktieren Sie einen unserer Mitarbeiter oder einen qualifizierten Techniker
	Energieversorgung	Überprüfen Sie die Energieversorgung
Der Kühlschrank lässt sich einschalten, doch die Temperatur ist zu niedrig/hoch.	Zu viel Eis im Verdampfer	Tauen Sie den Kühlschrank ab.
	Der Kondensator wird durch Staub blockiert.	Säubern Sie den Kondensator.
	Die Tür ist nicht richtig geschlossen.	Vergewissern Sie sich, dass die Tür geschlossen und dass die Dichtung nicht beschädigt ist.
	Das Gerät befindet sich nahe einem Wärme erzeugenden Gerät oder die Luftzufuhr zum Kondensator ist unterbrochen.	Finden Sie einen geeigneteren Aufstellungsort für den Kühlschrank.
	Die Umgebungstemperatur ist zu hoch.	Erhöhen Sie die Belüftung oder stellen Sie den Kühlschrank an einem kühleren Ort auf.
	Ungeeignete Nahrungsmittel werden im Gerät gelagert. Entfernen Sie überschüssige, heiße Lebensmittel oder Blockierungen zum Lüfter	Entfernen Sie überschüssige, heiße Lebensmittel oder Blockierungen zum Lüfter.
	Der Kühlschrank ist überladen.	Reduzieren Sie die gelagerten Nahrungsmittel im Gerät.
Der Kühlschrank ist ungewöhnlich laut.	Muttern/ Schrauben lose.	Überprüfen Sie alle Muttern und Schrauben und ziehen Sie diese fest.
	Das Gerät ist nicht ebenerdig aufgestellt	Prüfen Sie den Standort und ändern Sie diesen, wenn notwendig
Das Gerät verliert Wasser.	Das Gerät ist nicht ebenerdig aufgestellt.	Passen Sie die Schraubfüße des Kühlschranks so an, dass das Gerät waagrecht steht.
	Der Abfluss ist blockiert.	Reinigen Sie die Abflussöffnung
	Der Wasserbehälter ist defekt.	Kontaktieren Sie einen unserer Mitarbeiter oder einen qualifizierten Techniker
	Der Wasserbehälter ist voll.	Leeren Sie den Wasserbehälter

ENTSORGUNG

Wenn das Gerät nicht länger verwendet wird und Sie es entsorgen möchten, entfernen Sie die Türen, um zu verhindern, dass kleine Kinder im Innern eingesperrt werden. Entsorgen Sie das Gerät auf umweltfreundliche Weise.

Kontaktieren Sie einen qualifizierten Service- Techniker

- Um das gesamte Freon/Kühlmittel ordnungsgemäß abzulassen
- Um den Kompressor zu entfernen, oder um das Öl aus dem Kompressor zu entfernen
- Um die Treibmittel der brennbaren Isolierung zu entfernen.

Dann kann der Großhändler/Händler das örtliche Entsorgungszentrum kontaktieren, um das Gerät, die Regalteile usw. abzuholen.

Möglicherweise gibt es spezielle Anforderungen oder Bestimmungen zur Entsorgung von Kühlgeräten. Informationen erhalten Sie von:

- Ihrem Lieferanten
- Regierungsbehörden (Gemeinderat, Umweltministerium usw.)

Per Gesetz kann die ordnungswidrige Entsorgung von Sondermüll mit Geld- und Freiheitsstrafen gemäß den Bestimmungen der Umweltauflagen geahndet werden.

- Das Kühlmittel dieses Geräts ist ein Kohlenwasserstoff Kältemittel, welches vom Kyoto-Protokoll abgedeckt ist.
- Gelangt das Kältemittel in die Atmosphäre, schadet dies der Umwelt, indem die Erderwärmung gefördert wird. Das Erderwärmungspotential (GWP) von R600a/R290 ist 3.

Entsorgung



Alt-Elektrogeräte sind Wertstoffe, sie gehören daher nicht in den Hausmüll! Wir möchten Sie daher bitten, uns mit Ihrem aktiven Beitrag bei der Ressourcenschonung und beim Umweltschutz zu unterstützen und dieses Gerät bei den -falls vorhanden- eingerichteten Rücknahmestellen abzugeben.



Entsorgen Sie die Verpackung gemäß den geltenden gesetzlichen Bestimmungen.

TECHNISCHE DATEN

Modell	Kühlschrank	Tiefkühlschrank
Klimaklasse	<p>Die genauen technischen Daten Ihres Geräts finden Sie auf dem Typenschild. Dieses finden Sie auf der Rückseite Ihres Geräts sowie im Inneren des Geräts.</p> <p>Der Schaltplan ist ebenfalls auf Rückseite und sowie Inneren des Geräts angebracht.</p>	
Kühlmittel		
Kühlmittelmenge		
Temperaturbereich(°C)		
Nennleistung		
Nennfrequenz		
Nennspannung		
Innere Kapazität		
Nettogewicht		
Bruttogewicht		
Schäumungsmittel		
Außenabmessung (mm)		



VORSICHT: FEUER- UND EXPLOSIONSGEFAHR MIT BRENNBAREM KÜHLMITTEL R600a/R290.



GEWÄHRLEISTUNG

Für dieses Produkt gilt die gesetzliche Gewährleistung.

Schäden, die durch unsachgemäße Behandlung oder Bedienung, durch falsches Aufstellen oder Aufbewahren, durch unsachgemäßen Anschluss oder Installation, sowie durch höhere Gewalt oder sonstige äußere Einflüsse entstehen, fallen nicht unter die Gewährleistung. Falls produktspezifische Hinweise beiliegen, empfehlen wir dringend diese zu lesen und zu beachten.

Hinweise:

1. Sollte Ihr Produkt nicht mehr richtig funktionieren, prüfen Sie bitte zunächst, ob andere Gründe, wie z. B. eine unterbrochene Stromversorgung (insofern es sich um ein elektronisches Gerät handelt) oder generell eine falsche Handhabung, die Ursache sein könnten.
2. Beachten Sie bitte, dass Sie Ihrem defekten Produkt nach Möglichkeit folgende Unterlagen bzw. Informationen beifügen oder diese bereithalten:
 - Kaufquittung
 - Gerätebezeichnung / Typ / Marke
 - Beschreibung des aufgetretenen Mangels mit möglichst genauer Fehlerangabe

Bei Gewährleistungsansprüchen oder Störungen wenden Sie sich bitte an Ihre Einkaufsstätte.

GWL 8/14 DE

CONSEILS RELATIFS À LA SÉCURITÉ

IMPORTANT: Pour votre sécurité, veuillez lire le manuel attentivement avant d'installer ou d'utiliser ce produit. Conservez ce manuel pour consultation ultérieure.

Consultez les normes locales et nationales suivantes pour vous y conformer:

1. Législation relative à la santé et à la sécurité au travail
2. Mesures anti-incendie
3. Normes de câblage IEE
4. Normes de construction
5. NE PAS utiliser l'appareil à l'extérieur.
6. NE PAS tenter de réparer l'appareil par soi-même.
7. NE PAS utiliser d'appareils endommagés. En cas de doute, veuillez consulter des réparateurs agréés.
8. NE PAS utiliser d'appareils électriques à l'intérieur de l'appareil (p. ex. des appareils de chauffage, des sorbetières, etc.), à moins que ceux-ci ne soient du type recommandé par le fabricant.
9. Évitez d'obstruer les orifices de ventilation de l'enceinte de l'appareil ou de la structure intégrée.
10. NE PAS utiliser de dispositifs mécaniques ou tous autres moyens pour accélérer le processus de dégivrage autres que ceux recommandés par le fabricant.
11. NE PAS endommager le circuit réfrigérant.
12. NE PAS vous tenir debout ou prendre appui sur la base, les tiroirs ou la porte.
13. NE PAS laisser de l'huile ou de la graisse entrer en contact avec les éléments en plastique ou le joint de la porte. En cas de contact, nettoyez immédiatement.
14. Cet appareil peut être utilisé par des enfants de 8 ans et plus et par des personnes ayant des capacités physiques, sensorielles ou mentales réduites ou manquant d'expérience et de savoir-faire sous réserve qu'elles soient sous la surveillance d'une personne ou aient reçu des instructions concernant l'utilisation de l'appareil en toute sécurité et qu'elles comprennent les dangers que l'appareil présente (pour le marché européen).
15. Ne laissez pas les enfants jouer avec l'appareil.
16. Le nettoyage et l'entretien de la part de l'utilisateur ne doivent pas être effectués par des enfants laissés sans surveillance.
17. NE placez AUCUNE substance combustible, explosive ou volatile, ni aucun fluide agressif, acide et alcalin dans l'appareil.
18. NE PAS utiliser cet appareil pour stocker des fournitures médicales.
19. NE PAS utiliser de nettoyeurs à jet/haute pression pour nettoyer l'appareil.
20. NE PAS laisser les enfants jouer avec l'emballage, et détruisez tous sacs en plastique de manière sécurisée.
21. Les bouteilles contenant un pourcentage élevé d'alcool doivent être fermées hermétiquement et placées à la verticale dans le réfrigérateur.
22. Transportez, rangez et manipulez toujours l'appareil en le positionnant à la verticale et déplacez-le en tenant la base de l'appareil.
23. Mettez toujours l'appareil hors tension, puis débranchez-le de la prise de courant avant de procéder à son nettoyage.
24. Si le cordon d'alimentation est endommagé, son remplacement doit être confié au fabricant, à son service de réparation ou à une personne possédant les mêmes qualifications, afin de prévenir tout risque.
25. L'utilisation de cet appareil n'est pas destinée aux personnes (y compris les enfants) ayant des capacités physiques, sensorielles ou mentales réduites ou à celles manquant d'expérience et de savoir-faire, à moins qu'elles ne soient sous la surveillance ou reçoivent des instructions d'une personne responsable de leur sécurité (pour le marché en dehors de l'Europe).
26. Surveillez vos enfants afin de vous assurer que ceux-ci ne jouent pas avec l'appareil.
27. Utilisation réservée exclusivement à l'intérieur. Cet appareil n'est pas conçu pour être utilisé dans un endroit où des jets d'eau peuvent être utilisés. L'appareil ne doit pas être nettoyé par jet d'eau.
28. Afin de garantir une utilisation en toute sécurité, assurez-vous que l'appareil est installé et branché conformément aux descriptions données dans le manuel d'utilisation.
29. Toutes réparations et tous travaux sur l'appareil doivent être effectués exclusivement par notre service clientèle/technicien qualifié.
30. La clé du meuble électrique doit être conservée hors de la portée des enfants et utilisateurs.
31. Ne gardez pas de substances explosives, notamment des contenants d'aérosol avec des gaz propulseurs inflammables, dans cet appareil.

UTILISATION PRÉVUE

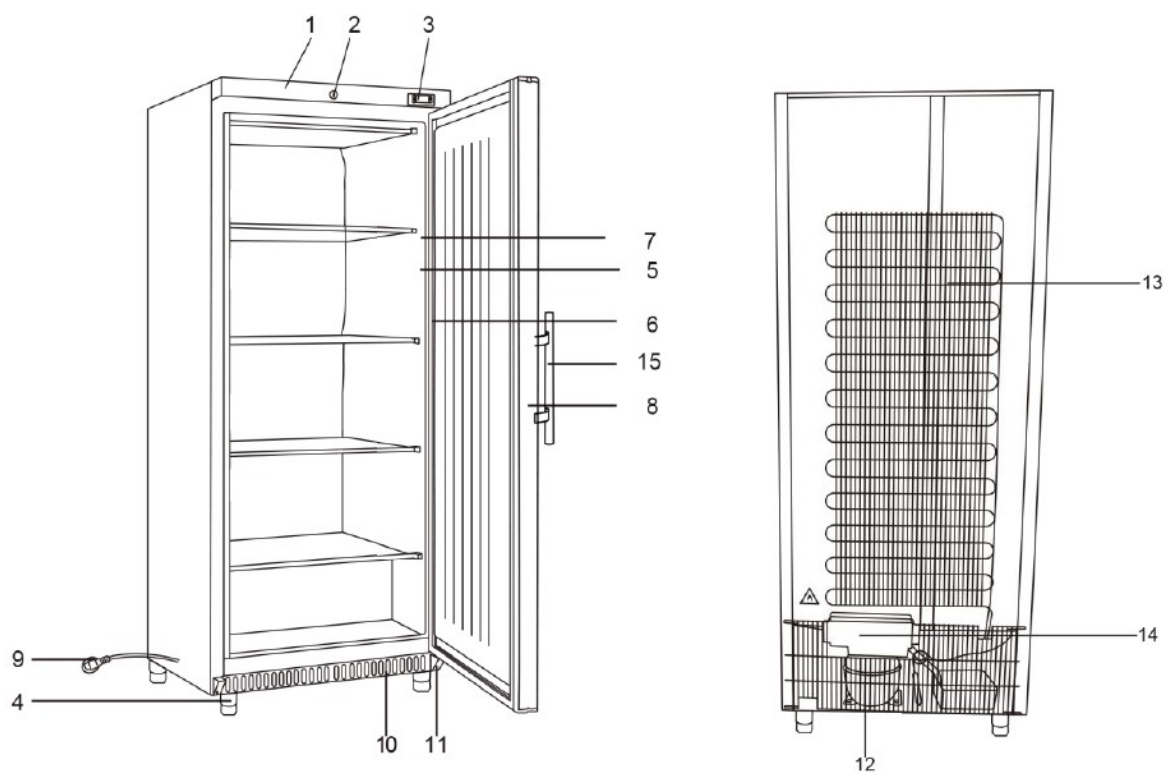
Utilisez cet appareil exclusivement pour la réfrigération et le stockage de produits alimentaires et de boissons à des fins commerciales.

EMPLACEMENT ET INSTALLATION

- Retirez l'emballage de l'appareil. Assurez-vous de retirer de toutes les surfaces l'intégralité des films et revêtements de protection en plastique. Afin de prévenir tous risques de blessures et d'endommagement de l'appareil, nous recommandons que l'appareil soit déballé et installé par deux personnes.
- Conservez une distance de 20 cm (7 pouces) entre l'appareil et les murs ou tout autre objet, pour permettre une ventilation optimale. Augmentez cette distance si l'obstacle est une source de chaleur.
- L'appareil doit être posé sur un sol solide, nivelé et stable afin de réduire au minimum tous bruits et vibrations. Mettez l'appareil à niveau en réglant les pieds.
- La température prévalant dans l'endroit où l'appareil est installé doit s'inscrire entre 10 °C et 32 °C (Classe climatique 4).
- Évitez d'installer l'appareil en l'exposant aux rayons du soleil ou à proximité de sources thermiques, notamment des fours ou des radiateurs.
- Veuillez vous assurer que l'appareil est correctement ventilé.
- Vérifiez si l'alimentation électrique correspond à la tension indiquée sur la plaque signalétique. La fiche doit être accessible après installation.
- Branchez et débranchez la fiche de manière appropriée. Lorsque vous insérez la fiche dans une prise, assurez-vous que la fiche est entièrement insérée. Lorsque vous débranchez l'appareil, faites-le en tenant le corps de la fiche. Ne tirez jamais le cordon d'alimentation directement.
- Si vous envisagez de mettre l'appareil hors service pendant une période prolongée, mettez-le hors tension, puis débranchez-le de la prise de courant. Nettoyez l'appareil et laissez la porte ouverte afin d'éviter les mauvaises odeurs dans l'appareil.
- **Important! Pour votre sécurité personnelle, cet appareil doit être mis à la terre de manière appropriée.** Cet appareil est muni d'un cordon électrique comportant un conducteur de terre et une prise de mise à la terre. La fiche doit être insérée dans une prise mise à la terre et installée de manière appropriée. Consultez un électricien qualifié ou un centre de réparation si vous ne comprenez pas parfaitement les instructions de mise à la terre. En cas de doute concernant la mise à la terre adéquate de l'appareil, faites contrôler le circuit par un électricien qualifié afin de vous assurer que la prise de courant est mise à la terre de manière appropriée.
- Si le cordon d'alimentation n'atteint pas la prise de courant la plus proche, réorganisez l'agencement du magasin ou demandez à un électricien qualifié d'installer une nouvelle prise.
- En cas de coupure de courant, patientez au moins 3 minutes avant de redémarrer l'appareil, afin d'éviter d'endommager le compresseur.
- Ne placez pas d'appareils générant de la chaleur, tels qu'un four à micro-ondes, un grille-pain, etc., sur l'appareil.
- Faites glisser l'étagère/le tiroir pour la/le mettre en place.
Remarque: Si l'unité n'a pas été stockée ou déplacée dans une position verticale, posez-la verticalement pendant environ 12 heures avant de l'utiliser.
Remarque: Avant d'utiliser l'appareil pour la première fois, nettoyez les étagères et l'intérieur à l'eau savonneuse.

PIÈCES

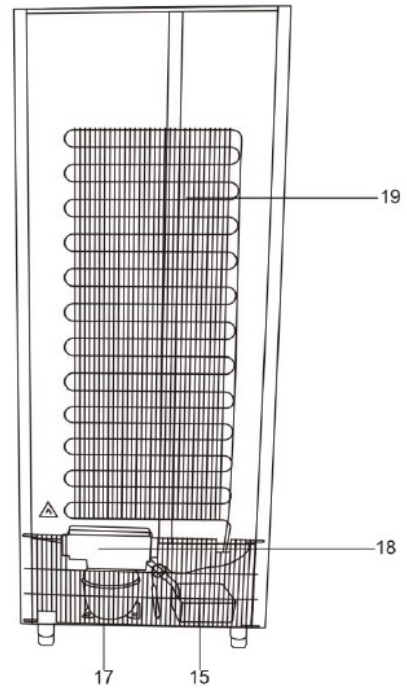
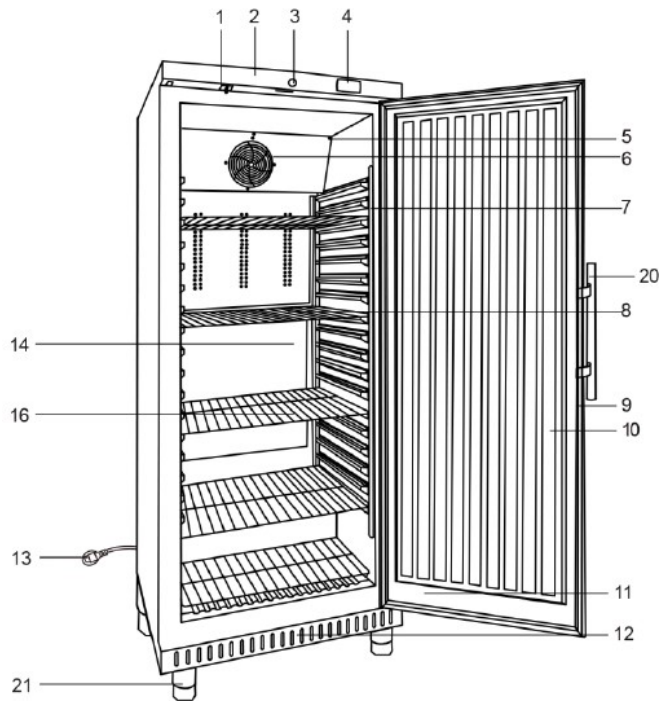
Congélateur



1. Panneau avant
2. Verrouillage
3. Boutons de contrôle
4. Pieds réglables
5. Humidificateur / Étagère
6. Joint
7. Eclairage
8. PorteFR
9. Prise d'alimentation
10. Panneau inférieur
11. Charnière inférieure de la porte
12. Compresseur
13. Condenseur
14. Condenser fan motor
15. Poignée

PIÈCES

Réfrigérateur



1. Interrupteur de porte
2. Panneau avant
3. Verrouillage
4. Boutons de contrôle
5. Panneau de ventilation
6. Ventilateur
7. Eclairage
8. Étagère
9. Joint
10. Porte
11. Charnière inférieure de la porte
12. Panneau inférieur
13. Prise
14. Évaporateur
15. Réservoir d'eau
16. Evacuation
17. Compresseur
18. Ventilateur du condensateur
19. Condensateur
20. Poignée
21. Pieds réglables

MISE EN ROUTE

Stockage des aliments

Suivez ces instructions afin d'obtenir les meilleurs résultats de votre appareil :

- Rangez des produits alimentaires dans l'appareil uniquement lorsque celui-ci a atteint la température de fonctionnement correcte.
- Ne placez pas d'aliments ou de liquides chauds non recouverts à l'intérieur de l'appareil.
- Emballez ou recouvrez les aliments dans la mesure du possible.
- N'entravez pas les ventilateurs à l'intérieur de l'appareil.
- Évitez d'ouvrir la porte pendant des périodes prolongées.
- Les aliments doivent être mis dans des récipients avant d'être placés dans le meuble frigorifique ou sur l'étagère. Les aliments ne doivent pas être placés directement dans le meuble frigorifique.

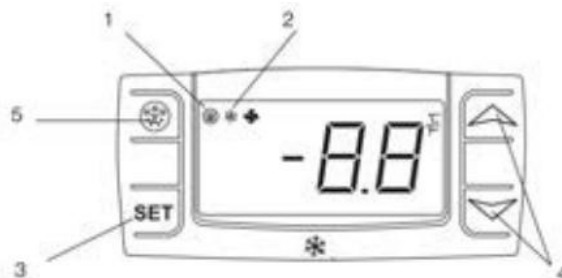
Mise en marche

- Fermez la porte de l'appareil.
- Assurez-vous que le commutateur d'alimentation est positionné sur [O], puis branchez l'appareil à la prise de courant.
- Mettez sous tension [I]. La température actuelle à l'intérieur de l'appareil s'affiche.
- Le voyant * qui se trouve sur le panneau de commande clignote pour indiquer un retard de démarrage du compresseur.

Réglage et commande de la température

Le panneau avant de l'écran du thermostat:

1. Voyant de dégivrage
2. Voyant de fonctionnement du compresseur
3. Touche **SET**
4. Touches de modification de la température
5. Bouton **DEFROST**



Comment voir la limite définie

- Appuyez sur la touche **SET**, puis relâchez-la immédiatement, la limite définie s'affiche ;
- Appuyez à nouveau sur la touche **SET**, puis relâchez-la immédiatement ou patientez pendant environ 15 s pour retourner à la visualisation normale.

Comment modifier la limite définie


- Appuyez sur la touche **SET** pendant plus de 2 secondes afin de modifier la valeur de la limite définie ;
- La valeur de la limite définie s'affiche et le l'indicateur « °C » commence à clignoter ;
- Pour modifier la valeur définie, appuyez sur les flèches „^“ ou „v“ dans un délai de 15s.
- Pour mémoriser les nouvelles valeurs de la limite définie, appuyez à nouveau sur la touche **SET** ou patientez pendant 15 s.

Dégivrage automatique

L'appareil exécute automatiquement des cycles de dégivrage.

Remarque: Le cycle démarre lors de la mise en marche initiale de l'appareil.

Dégivrage manuel :

- Appuyez sur la touche **DEFROST**  et maintenez-la enfoncée pendant 5 secondes.
 - Le cycle de dégivrage démarrera immédiatement et le témoin lumineux de Dégivrage s'allumera.
- Remarque:** Lancer un cycle de dégivrage réinitialise également le minuteur automatique de dégivrage.

Changement de la charnière de la porte

La porte peut être changée de droite à gauche grâce aux charnières articulées, et vice versa. Pour cela, procédez comme suit :

1. Mettre l'appareil hors circuit et le débrancher de l'alimentation électrique.



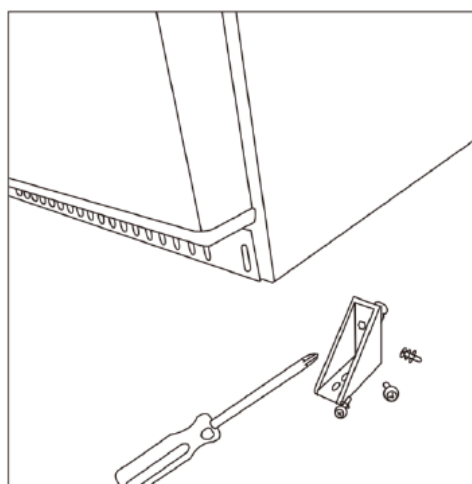
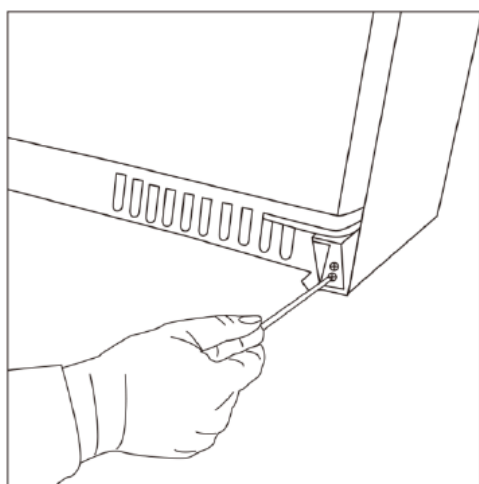
Charnière 3 (charnière supérieure de la porte)

Charnière 4 (charnière inférieure de la porte)

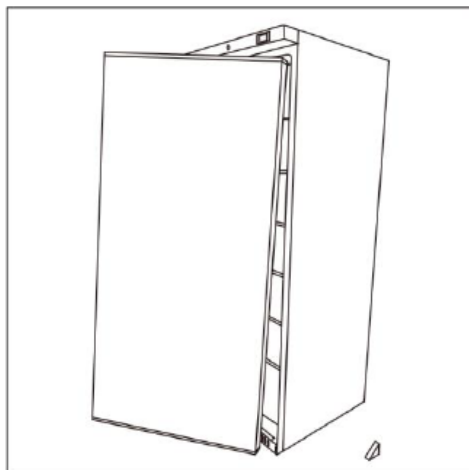
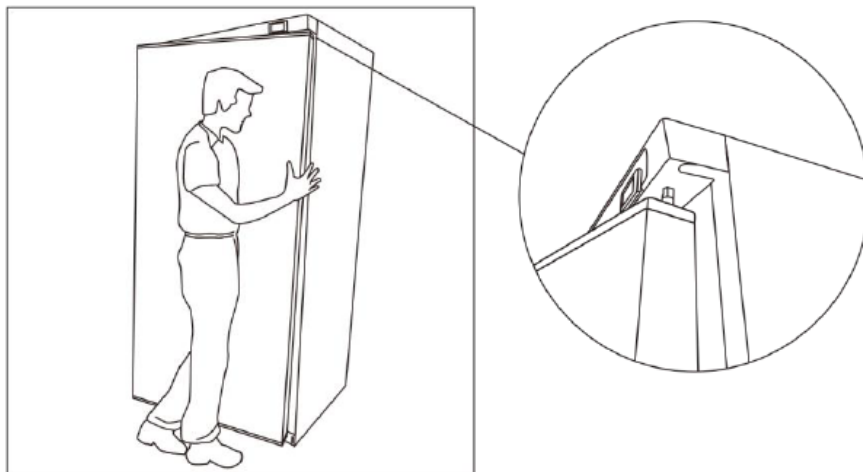
Charnière 1 (voir remarque)* Charnière 2

Remarque : possède un petit rouleau qui aide la porte à glisser lorsqu'elle se ferme et qui fonctionne comme un support de porte.

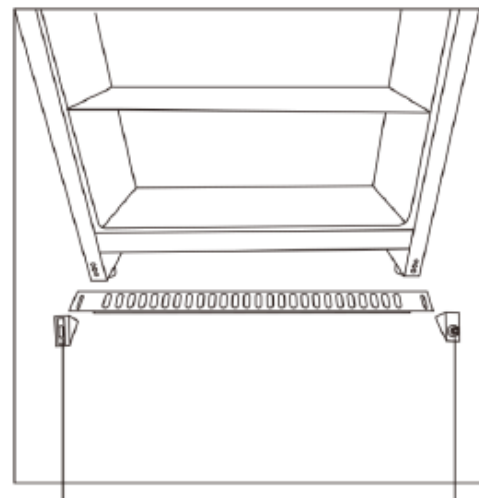
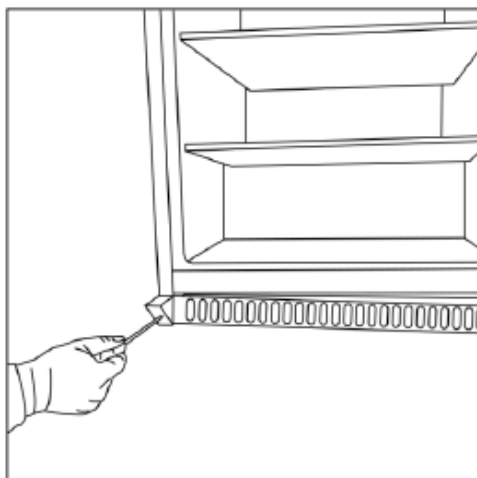
2. Détachez la charnière 2



3. Enlevez la porte



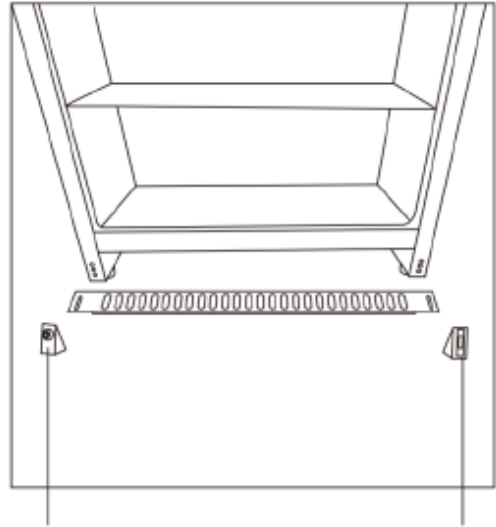
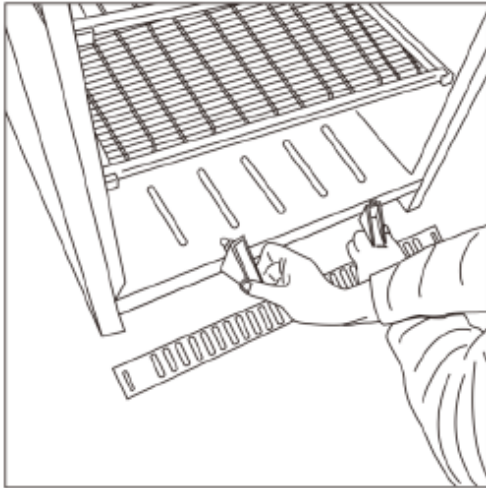
4. Détachez la charnière 1



Charnière 1

Charnière 2

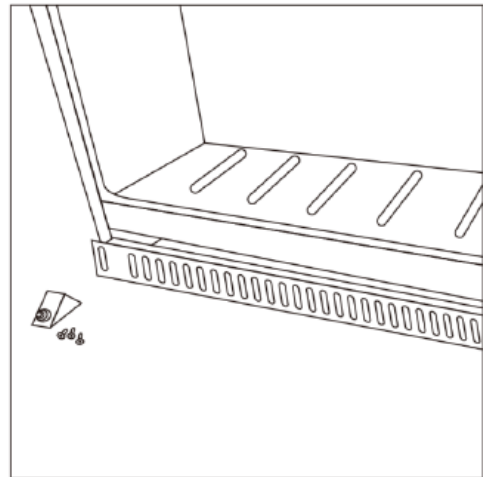
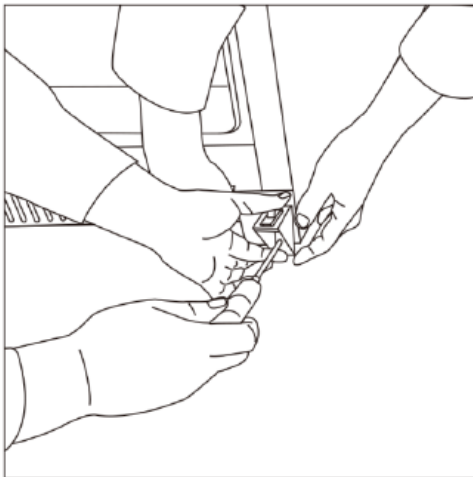
5. Changez la position des deux charnières



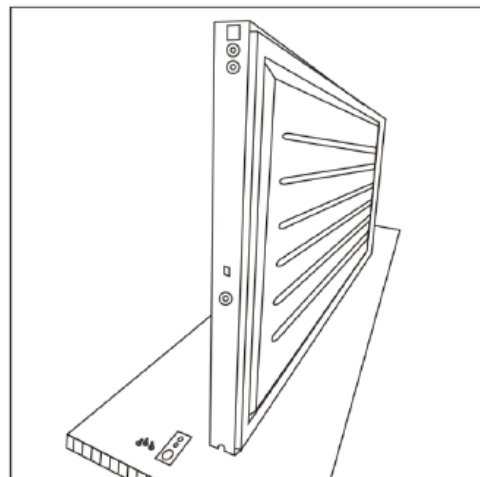
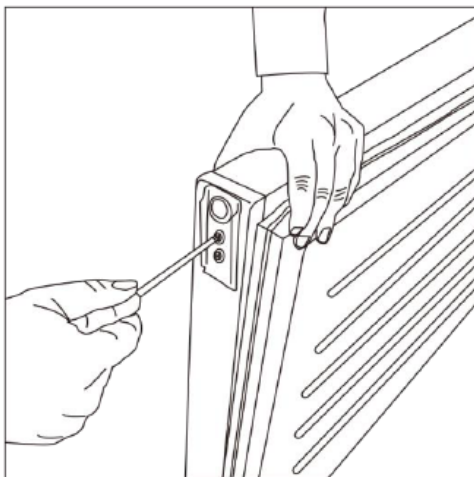
Charnière 2

Charnière 1

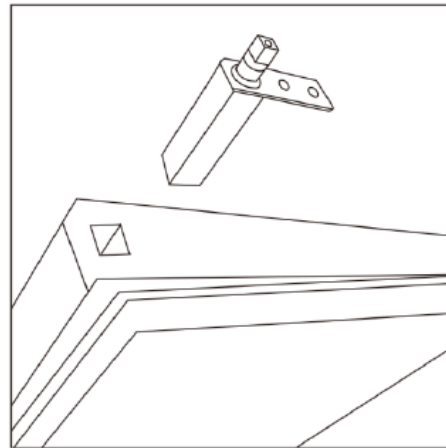
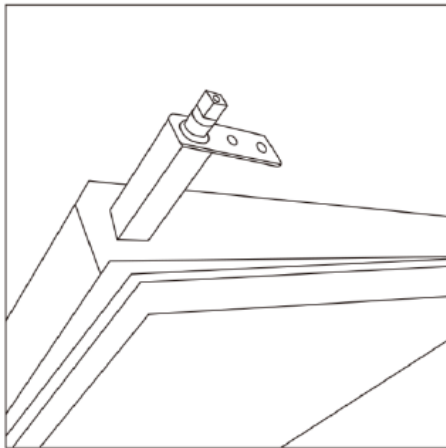
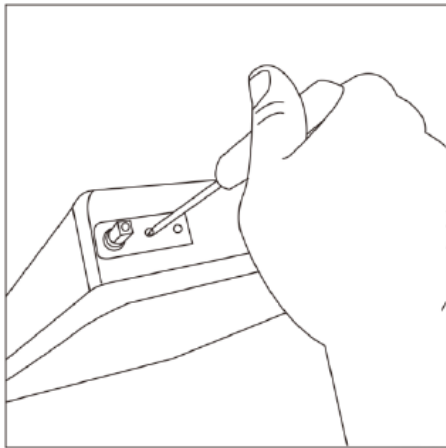
6. Fixez la charnière 1



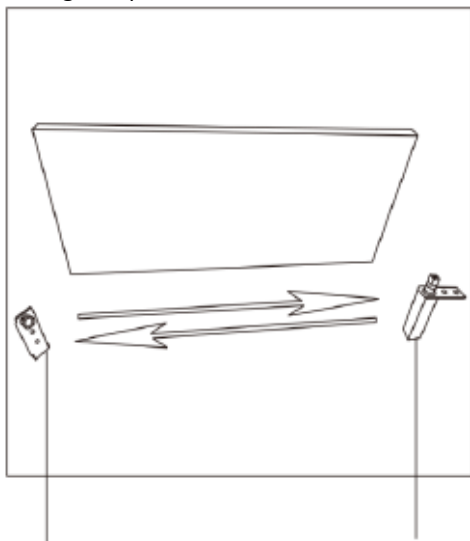
7. Détachez la charnière 4 (charnière inférieure de la porte)



8. Détachez la charnière 3 (charnière supérieure de la porte)

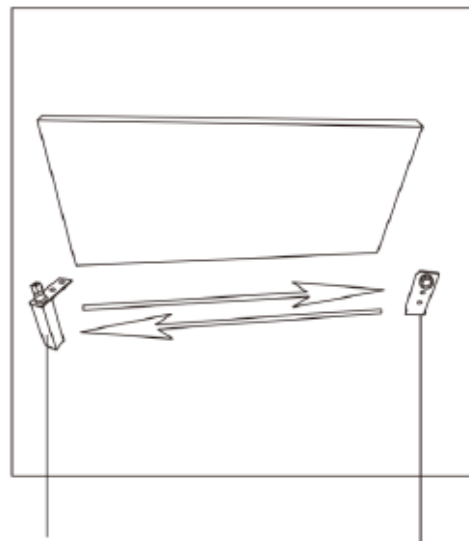


9. Échangez la position des charnières 3 et 4.



Charnière 4

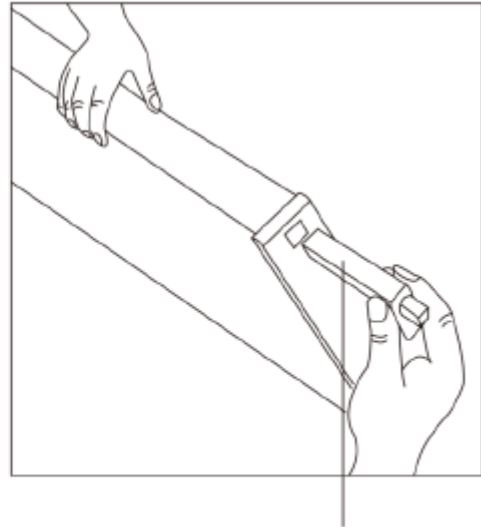
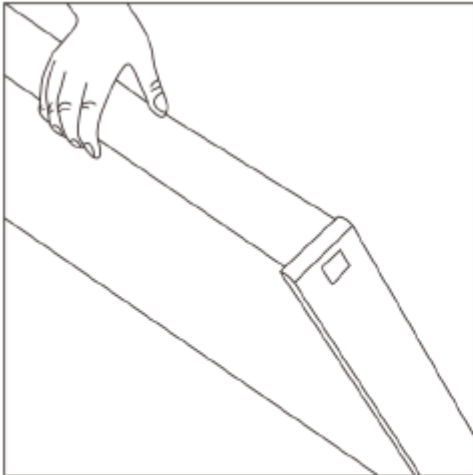
Charnière 3



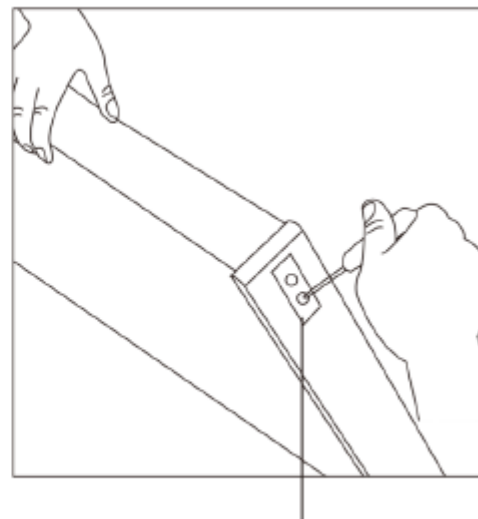
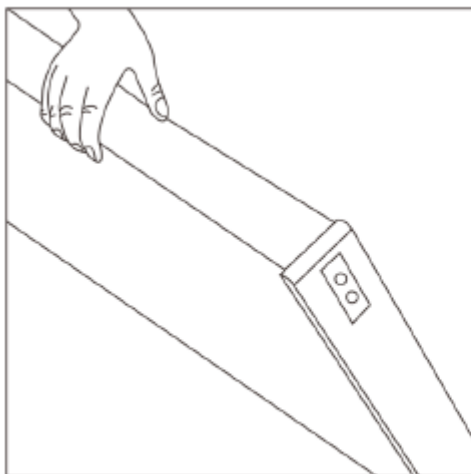
Charnière 3

Charnière 4

10. Fixer sur la porte les charnières 3 et 4.

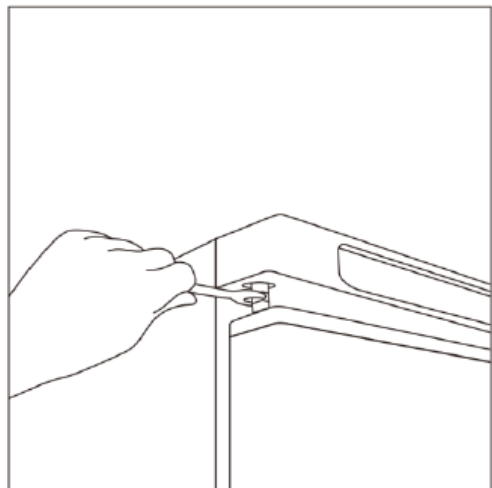
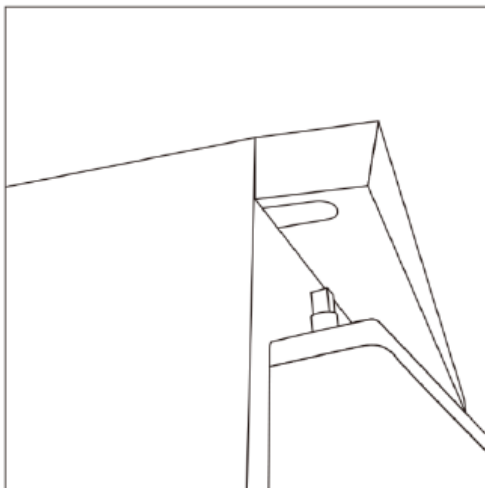


Charnière 3

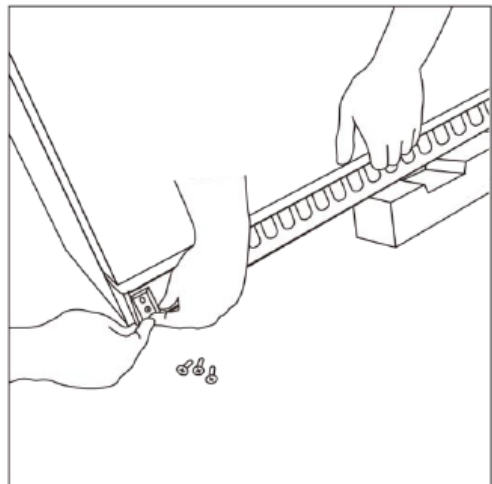


Charnière 4

11. Placez la porte à l'envers et connectez la charnière supérieure.



12. Fixez la charnière 2



NETTOYAGE, SOIN ET ENTRETIEN

Entretien de routine

Mettez l'appareil hors tension, puis débranchez la fiche d'alimentation de la prise de courant avant de procéder au nettoyage.

- Nettoyez l'enceinte et l'intérieur de l'appareil aussi souvent que possible.
- Nettoyez l'appareil à l'aide d'un chiffon humide. Ne laissez jamais le commutateur, le panneau de commande, le cordon et la fiche d'alimentation trempé.
- N'utilisez aucun produit de nettoyage abrasif. Ceux-ci risquent de laisser des résidus nocifs. Utilisez exclusivement de l'eau savonneuse douce.
- Nettoyez le joint de la porte à l'eau exclusivement.
- Veillez à ce qu'aucune goutte d'eau de nettoyage ne s'infilte dans les composants électriques.
- L'appareil ne doit pas être nettoyé par jet d'eau.
- Après nettoyage, essuyez toujours à l'aide d'un chiffon doux et sec.
- Ne laissez pas l'eau utilisée pour le nettoyage passer dans l'orifice d'évacuation vers le ventilateur d'évaporation.
- Prenez garde lorsque vous procédez au nettoyage du dos de l'appareil.
- En cas de besoin, toutes réparations doivent être confiées à un technicien qualifié.
- Si vous ne comptez pas utiliser l'appareil pendant une période prolongée, débranchez l'appareil après positionnement du commutateur sur OFF, videz le compartiment de refroidissement, puis nettoyez-le entièrement.

Entretien spécial

Les instructions données dans le paragraphe suivant peuvent être suivies par des techniciens qualifiés

- Le nettoyage périodique du condensateur à l'aide d'outils adaptés (aspirateur ou brosses souples) peut prolonger la durée de vie de l'appareil.
- Assurez-vous que les raccordements électriques ne sont pas desserrés.
- Assurez-vous que le thermostat et le capteur sont en bon état de fonctionnement.

DÉPANNAGE

Panne	Défaillance éventuelle	Gestes de résolution des problèmes
L'appareil ne fonctionne pas correctement	L'appareil n'est pas mis sous tension	Vérifiez que l'unité soit correctement branchée et sous tension
	Fiche et/ou câble endommagés	Contactez votre agent ou technicien qualifié
	Un fusible dans la fiche a sauté	Remplacez le fusible (fiche Royaume-Uni)
	Alimentation	Vérifiez la source d'alimentation
L'appareil se met sous tension, mais la température est trop élevée/basse	Trop de glace sur l'évaporateur	Dégivrez l'appareil
	Condensateur obstrué par la poussière	Contactez votre agent ou technicien qualifié
	Les portes ne se ferment pas correctement	Vérifiez que les portes se ferment bien et que les joints ne sont pas endommagés
	L'appareil est placé à proximité d'une source de chaleur ou le flux d'air vers le condensateur est interrompu	Déplacez le réfrigérateur vers un emplacement plus approprié
	Température ambiante trop élevée	Augmentez l'aération ou déplacez l'appareil vers une position moins chaude
	Des produits alimentaires non adaptés sont stockés dans l'appareil	Retirez tous produits alimentaires en excès ou toutes obstructions du ventilateur
	L'appareil est surchargé	Réduisez la quantité d'aliments stockés dans l'appareil
L'appareil est particulièrement bruyant	Desserrez l'écrou/la vis	Contrôlez et serrez l'ensemble des écrous et vis
	L'appareil n'a pas été installé dans une position stable et à niveau	Vérifiez la position d'installation et changez-la, au besoin
L'appareil a une fuite d'eau	L'appareil n'est pas mis à niveau correctement	Ajustez la hauteur des pieds réglables et mettez l'appareil à niveau (le cas échéant)
	L'orifice de décharge est bouché	Nettoyez l'orifice de décharge
	Le mouvement d'eau vers l'évacuation est obstrué	Nettoyez le sol de l'appareil (le cas échéant)
	Le réservoir d'eau est endommagé	Contactez votre agent ou technicien qualifié
	Le bac récepteur déborde	Videz le bac récepteur (le cas échéant)

MISE AU REBUT

Si l'appareil ne sert plus et que vous souhaitez le mettre au rebut, retirez-en les portes afin d'empêcher tout enfant en bas âge de s'y retrouver piégé. Veuillez en conséquence le mettre au rebut d'une manière favorable à la protection de l'environnement.

Contactez un technicien d'entretien qualifié :

1. Pour récupérer tout le fréon/réfrigérant
2. Pour retirer le compresseur ou retirer l'huile du compresseur
3. Pour retirer les gaz propulseurs d'isolant inflammables

Ensuite, le distributeur/revendeur peut contacter le centre local de recyclage de métaux pour le ramassage des éléments restants du meuble, des étagères, etc.

Des exigences ou conditions particulières peuvent être en vigueur. Vous pouvez obtenir des informations relatives à la mise au rebut des appareils de froid auprès de :

- Votre fournisseur
- Les autorités publiques (le conseil municipal, le Ministère de l'Environnement, etc.)

En vertu de la loi, la mise au rebut de déchets dangereux peut faire l'objet d'amendes et d'emprisonnement aux termes des dispositions des règles applicables en matière d'environnement.

1. Le réfrigérant de cet appareil est un réfrigérant à base d'hydrocarbures et couvert par le Protocole de Kyoto.
2. Le relâchement du réfrigérant dans l'atmosphère risque de nuire à l'environnement en contribuant au réchauffement de la planète. Le potentiel de réchauffement de la planète (Global Warming Potential, GWP) du R600a/R290 est de 3.

Mise au rebut



Les appareils électriques usagés sont recyclables et ne doivent pas être jetés avec les ordures ménagères ! Veuillez nous soutenir activement dans notre effort de conservation et de protection de l'environnement en retournant cet appareil aux centres de collecte (le cas échéant).



Mettez les matériaux d'emballage au rebut en respectant les réglementations légales en vigueur.

DONÉES TECHNIQUES

Modèle	Réfrigérateur	Congélateur
Classe climatique	Veuillez-vous référer aux informations indiquées sur le produit. Vous trouverez ces informations sur la plaque signalétique apposée au dos de l'appareil ainsi qu'à l'intérieur du compartiment de réfrigération. Le schéma des circuits est apposé au dos de l'appareil ainsi qu'à l'intérieur du compartiment de réfrigération.	
Gaz frigorigène		
Charge de réfrigérant		
Gamme de températures (°C)		
Puissance d'entrée		
Fréquence nominale		
Tension nominale		
Volume interne		
Poids net		
Poids brut		
Agent moussant		
Dimensions extérieures (mm)		



PRÉCAUTION: RISQUE D'INCENDIE ET D'EXPLOSION LIÉ AU RÉFRIGÉRANT INFLAMMABLE R600a/ R290.



GARANTIE

Une garantie légale s'applique au présent produit.

Cette garantie ne couvre pas les dommages résultant d'une mauvaise utilisation ou d'un abus, d'un placement ou d'un branchement inapproprié, d'une conservation ou d'une installation incorrecte, ou encore de l'usage de la force ou d'une cause externe. Nous vous recommandons de lire attentivement le mode d'emploi car il contient des informations importantes.

Remarque :

1. Si ce produit ne fonctionne pas convenablement, veuillez en premier lieu vérifier qu'il ne s'agit pas d'un dysfonctionnement. Contrôlez p. ex. qu'une coupure de courant, ou qu'une mauvaise manipulation n'en est pas la cause.
2. Veuillez noter que, lorsque cela est possible, les documents suivants ou les informations doivent être joints avec le produit défectueux :
 - Reçu de caisse
 - Description/type/marque du modèle
 - Décrivez la panne et le problème avec autant de détails que possible.

En cas de réclamation pour défaut ou pour faire jouer la garantie, veuillez contacter le vendeur.

GWL 7/08 E/FR